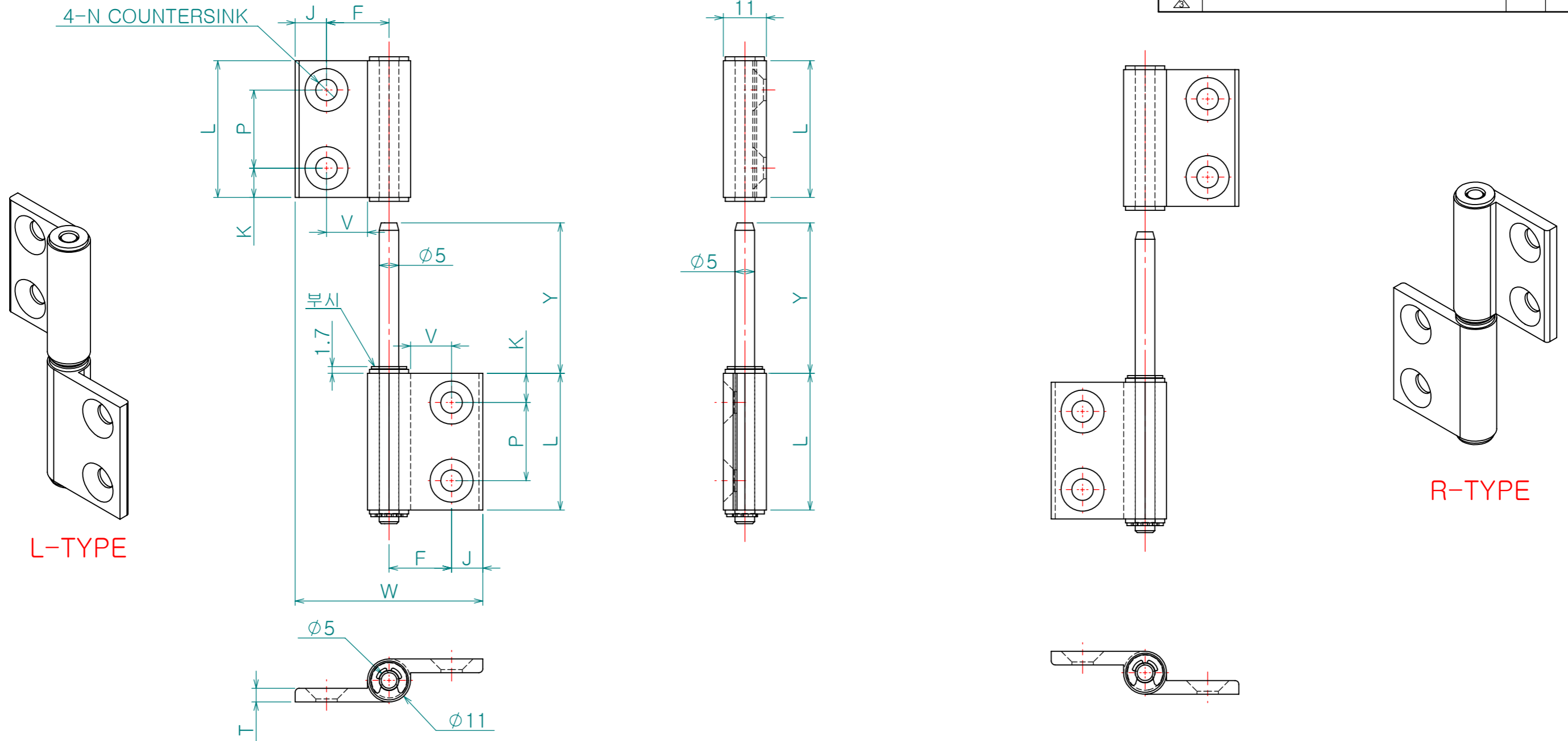


Re. No.	DESCRIPTION	DATE	DS.	CH.	AP.
△					
△					
△					



제품명	L	W	K	P	J	F	V	N C/S	T	Y
CH-HHPFL ,R1	35	48	7.5	20	8	16	10.5	M5	3.5	38.5
CH-HHPFL ,R2	40	62	7.5	25	10	21	15.5	M6		43.5
CH-HHPFL ,R3	50	80	10	30	14	26	20.5		4	53.5
CH-HHPFL ,R4					11.5	28.5	23			

※ CH-HHPFL (L-TYPE)
CH-HHPFR (R-TYPE)

Dimension (mm)	Precision	Material	Dwg. No.	QTY	
0.5~3	±0.05	A6063S-T5	Part Name.	**	
3~6		Finish		**	Weight
6~30	±0.1	알루미늄 처리	Ass'y Name	-	
30~120	±0.15	Revision	**	Scale	
120~315	±0.2	-	Sheet Size	1:1.1	
			A3		
315~1000	±0.3	Date	Designed by	Model No.	
1000~2000	±0.5	2017-09-12	Shin S H		CH-HHPF
		Checked by	Approved by		
KS B 0412에 준함					

