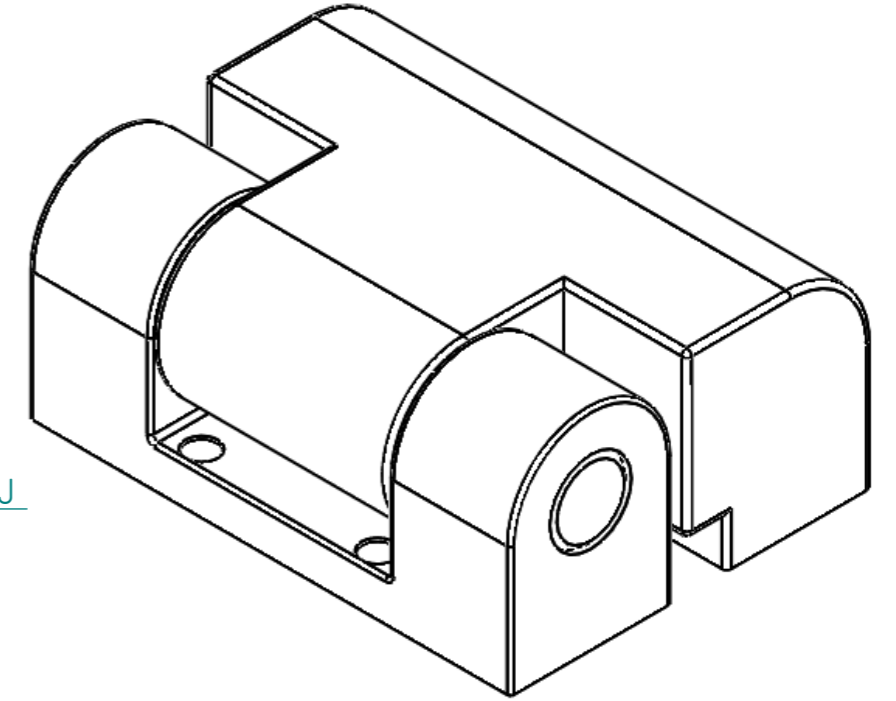
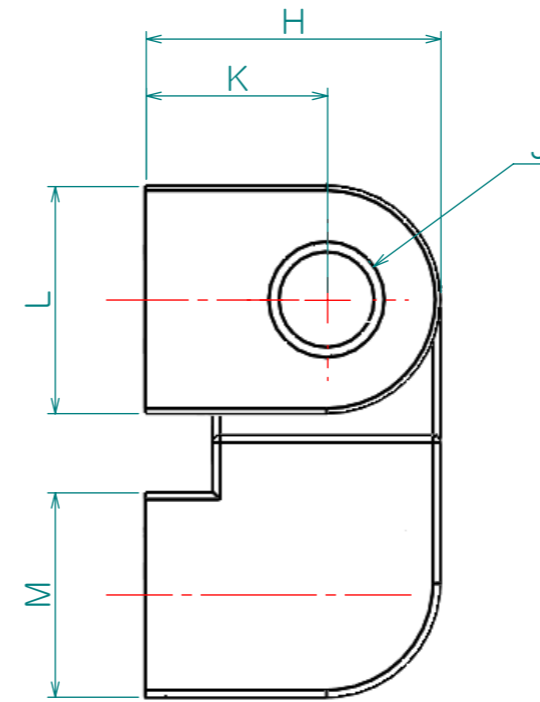
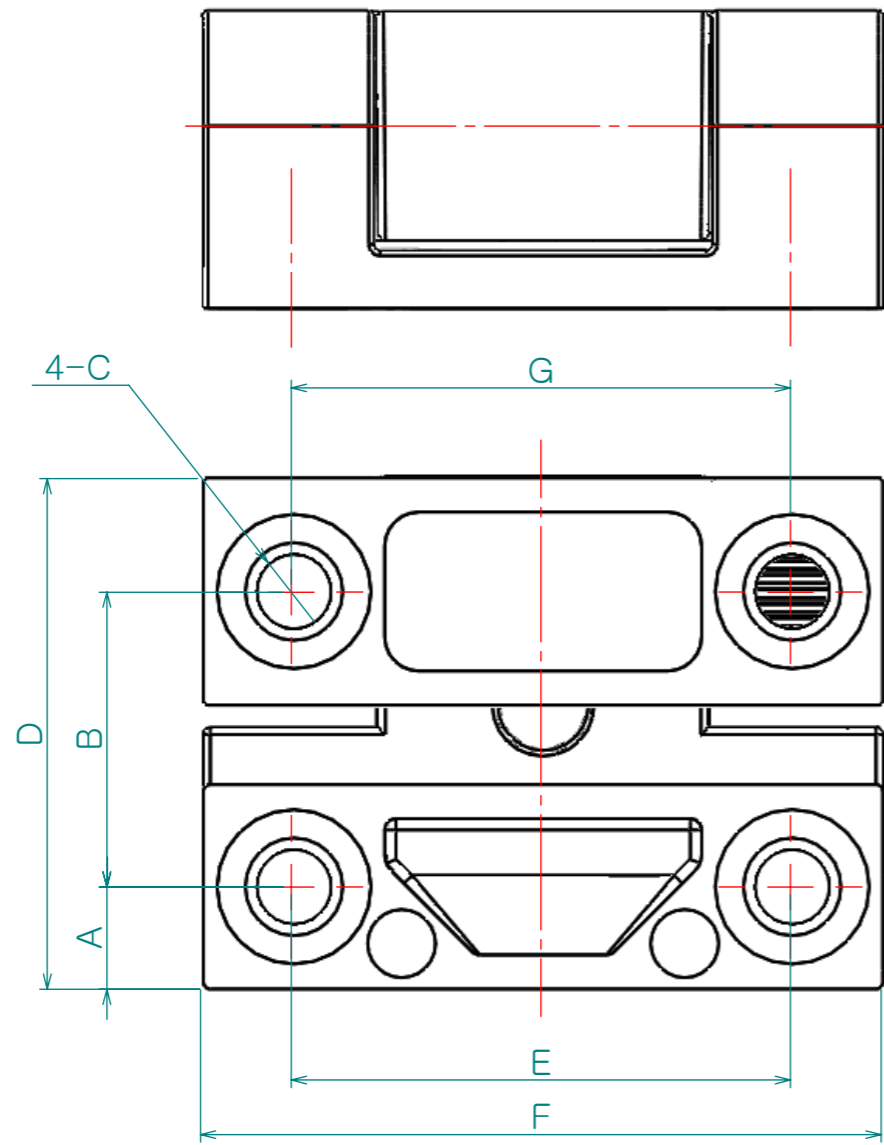


Dwg. No.

Re. No.	DESCRIPTION	DATE	DS.	CH.	AP.
△					
△					
△					



제품명	A	B	C	D	E	F	G	H	J	K	L	M	Torque(N.m)
CH- 070-1	4.5	13	M4	22.5	22	30	22	13	∅5	8	10	9	-
CH- 070-2	4	18.5	M4	27.5	22	30	22	13	∅5	8	10	14.5	-
CH- 070-2T													
CH- 070-3	8	20	M5	35	45	60	50	18	∅8	11	14	18	-

Dimension (mm)	Precision	Material	Dwg. No.	QTY
0.5~3	±0.05	아연합금	Part Name. CE- 070	Weight
3~6		베로아도금		-
6~30	±0.1	Revision	Sheet Size	Scale
30~120	±0.15	-	A3	3:1
120~315	±0.2	Date	Designed by	Model No. **
315~1000	±0.3	2017-02-13	Shin S H	
1000~2000	±0.5	Checked by	Approved by	
KS B 0412에 준함				