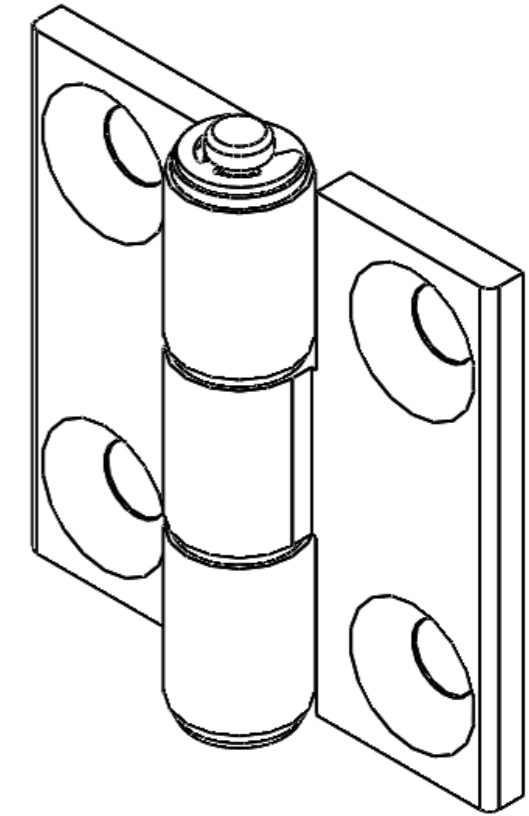
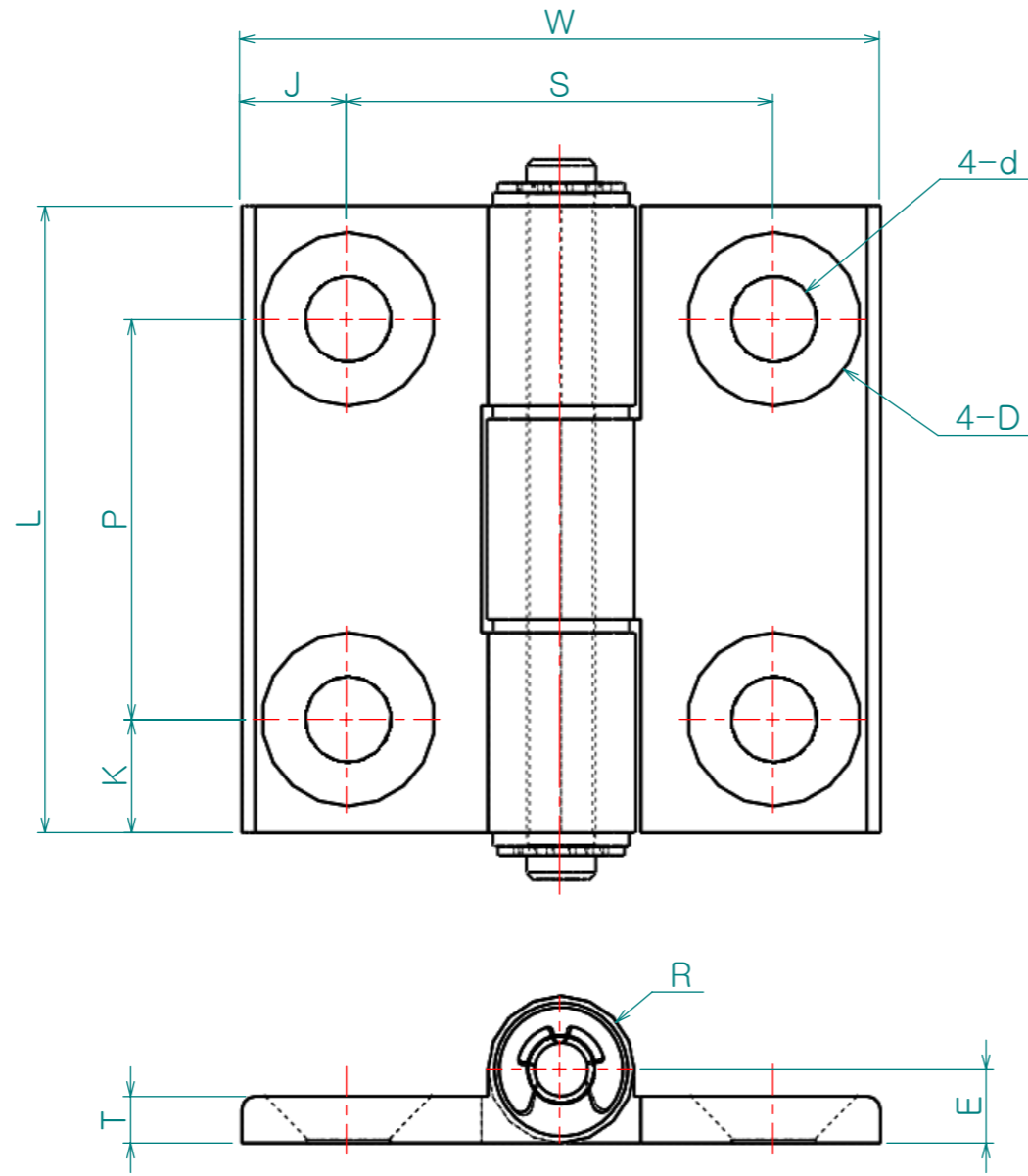


Dwg. No.

Re. No.	DESCRIPTION	DATE	DS.	CH.	AP.
△					
△					
△					



제품명	L	W	K	P	J	S	d	D	T	E	R
CH-HHPSN1, B	47	36	11	25	7.5	21	5.5	11	3.5	5	5
CH-HHPSN2, B		48	8.5	30	8	32				5.5	5.5
CH-HHPSN3, B	63	62	13	37	10	42	6.5	13	4.5	5.5	5.5
CH-HHPSN4, B		80	10	40	16.5	47					

※ 표면처리  
 CH-HHPSN1 - 백색 알루마이트  
 CH-HHPSN1B - 흑색 알루마이트

Dimension (mm)	Precision	Material	Dwg. No.	QTY
0.5~3		A6063S-T5		**
3~6	±0.05	Finish	Part Name.	Weight
6~30	±0.1	알루마이트 처리	**	-
30~120	±0.15	Revision	Ass'y Name	Scale
120~315	±0.2	-	**	1.8:1
315~1000	±0.3	Date	Model No.	
1000~2000	±0.5	2017-09-12	CH-HHPSN	
KS B 0412에 준함		Designed by		
		Shin S H		
		Checked by		
		Approved by		