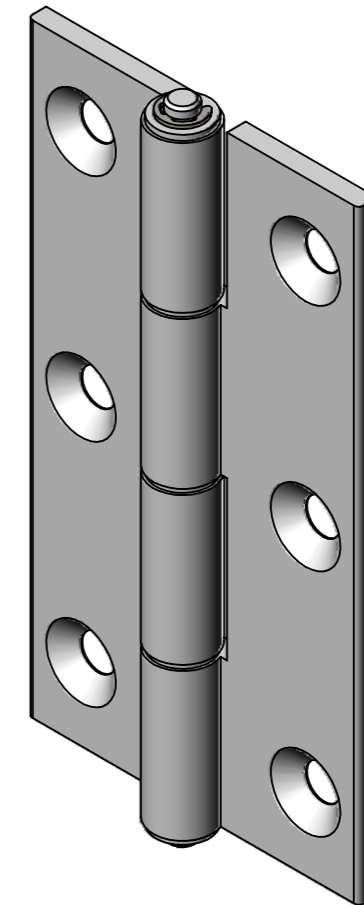
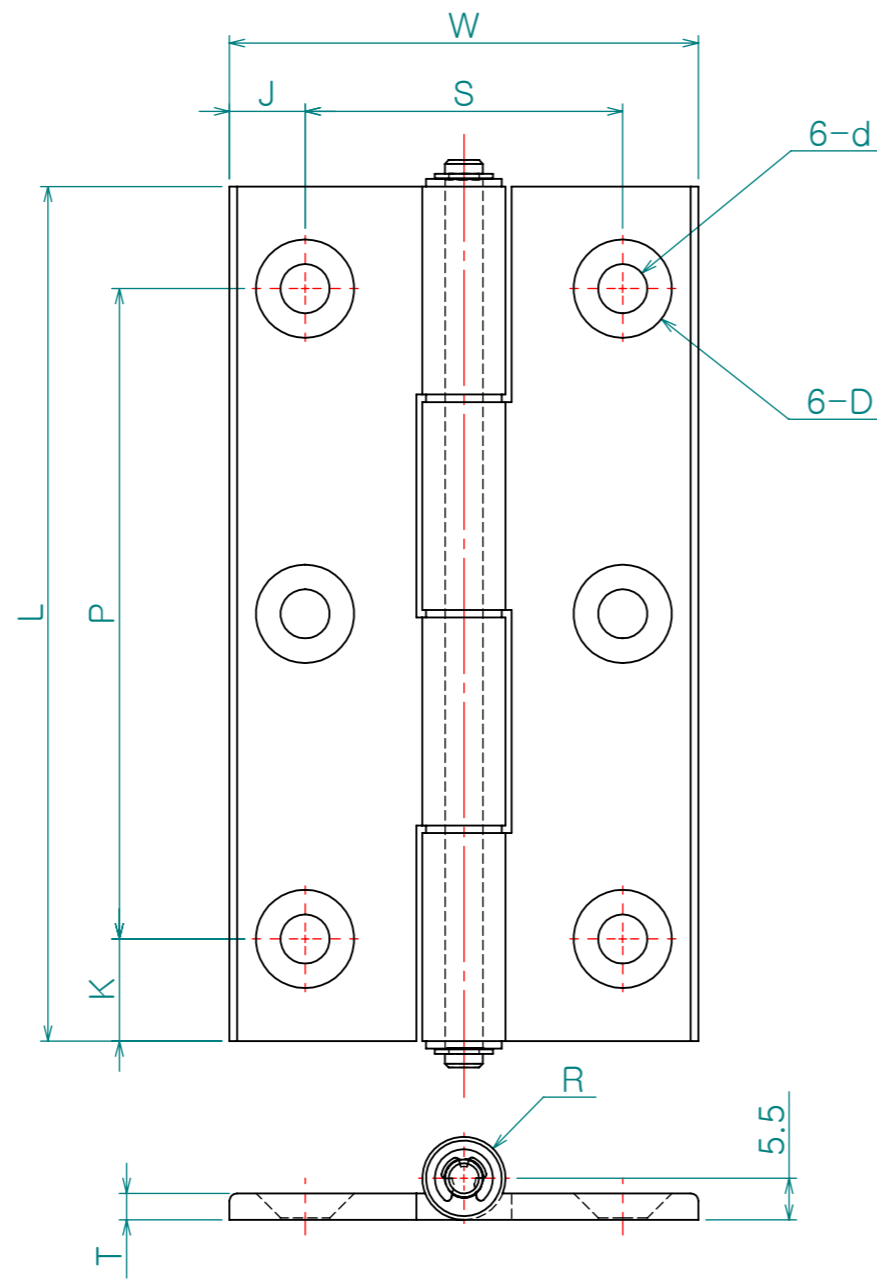


Dwg. No.

Re. No.	DESCRIPTION	DATE	DS.	CH.	AP.
△					
△					
△					



제품명	L	W	K	P	J	S	d	D	T	E	R
CH-HHPSNL1, B	66	36	8	25	7.5	21	5.5	11		5	5
CH-HHPSNL2, B	78	48	9	30	8	32			3.5		
CH-HHPSNL3, B	113	62	13.5	43	10	42	6.5	13		5.5	5.5
CH-HHPSNL4, B		80			16.5						

※ 표면처리  
 CH-HHPSNL1 - 백색 알루미늄  
 CH-HHPSNL1 B - 흑색 알루미늄

Dimension (mm)	Precision	Material	Dwg. No.	QTY
0.5~3		A6063S		**
3~6	±0.05	Finish	Part Name.	Weight
6~30	±0.1	알루미늄처리	**	-
30~120	±0.15	Revision	Ass'y Name	Scale
120~315	±0.2	-	**	1:1
315~1000	±0.3	Date	Model No.	
1000~2000	±0.5	2017-08-02	CH-HHPSNL	
KS B 0412에 준함		Designed by	Hardware	
		Shin S H		
		Checked by		
		Approved by		