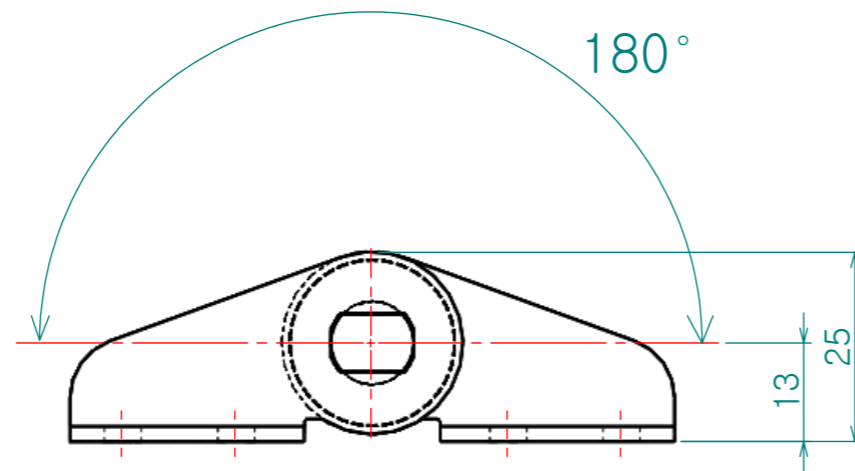
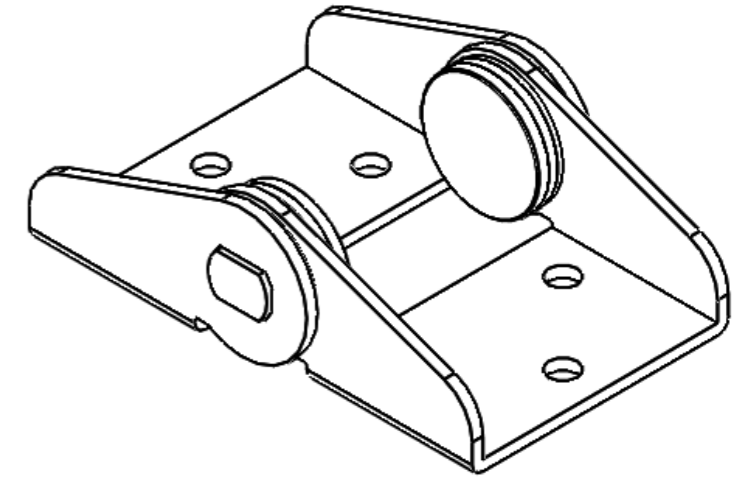
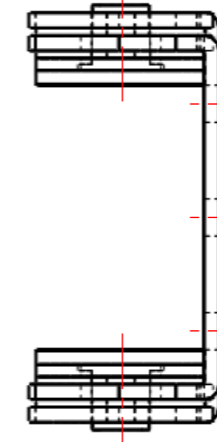
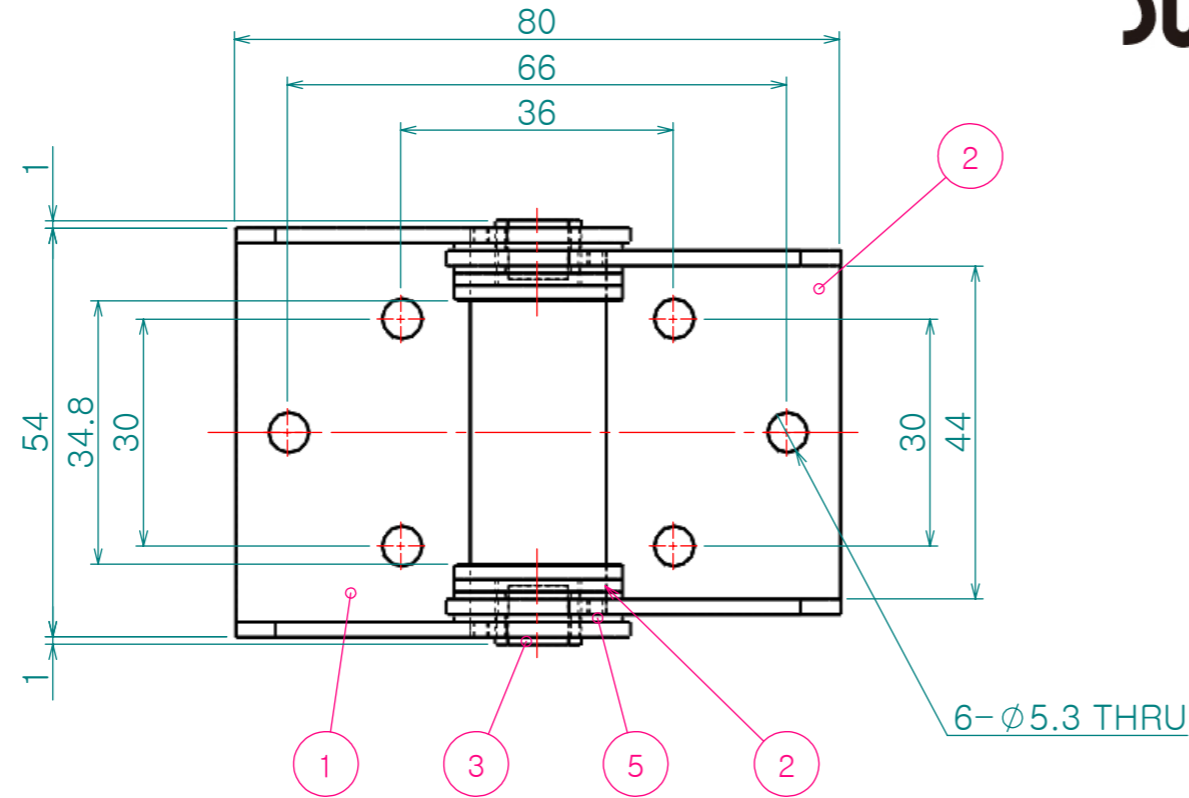


SUGATSUNE

Re. No.	DESCRIPTION	DATE	DS.	CH.	AP.
△					
△					
△					



TORQUE HINGE		
제품명	Torque Moment	무게(g)
CH-HG-ITM50	5.0N.m(50.98kgf.cm)	130
CH-HG-ITM70	7.0N.m(71.38kgf.cm)	130

No.	부품명	재질	표면처리
1	Base	Stainless Steel(SUS304)	광택
2	Bracket	Stainless Steel(SUS304)	광택
3	Shaft	Stainless Steel(SUS304)	일반
4	Washer	Phosphor	광택
5	Spring Washer	Steel	니켈

Note

1. 특징 :

2. 용도 :

Dimension (mm)	Precision	Material **	Dwg. No.	QTY **
0.5~3		Finish **	Part Name. **	Weight -
3~6	±0.05			
6~30	±0.1	Revision -	Sheet Size A3	Ass'y Name **
30~120	±0.15			
120~315	±0.2	Date 2017-04-14	Designed by <i>Shin S H</i>	Model No. CH-HG-ITM
315~1000	±0.3	Checked by	Approved by	
1000~2000	±0.5	KS B 0412에 준함		Scale 1:1