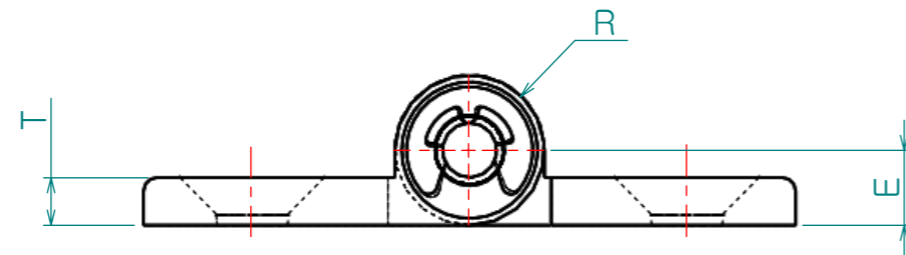
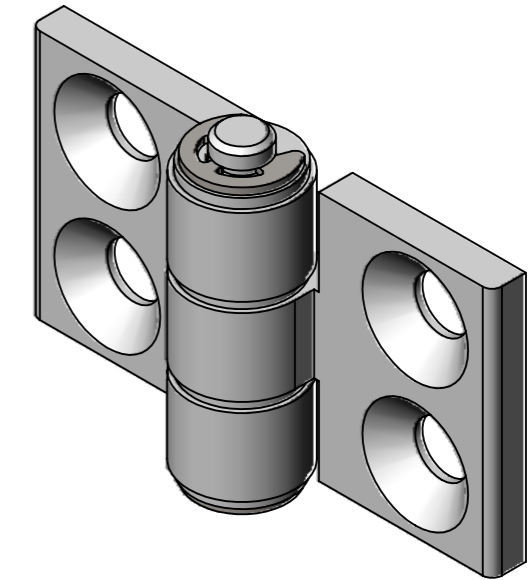
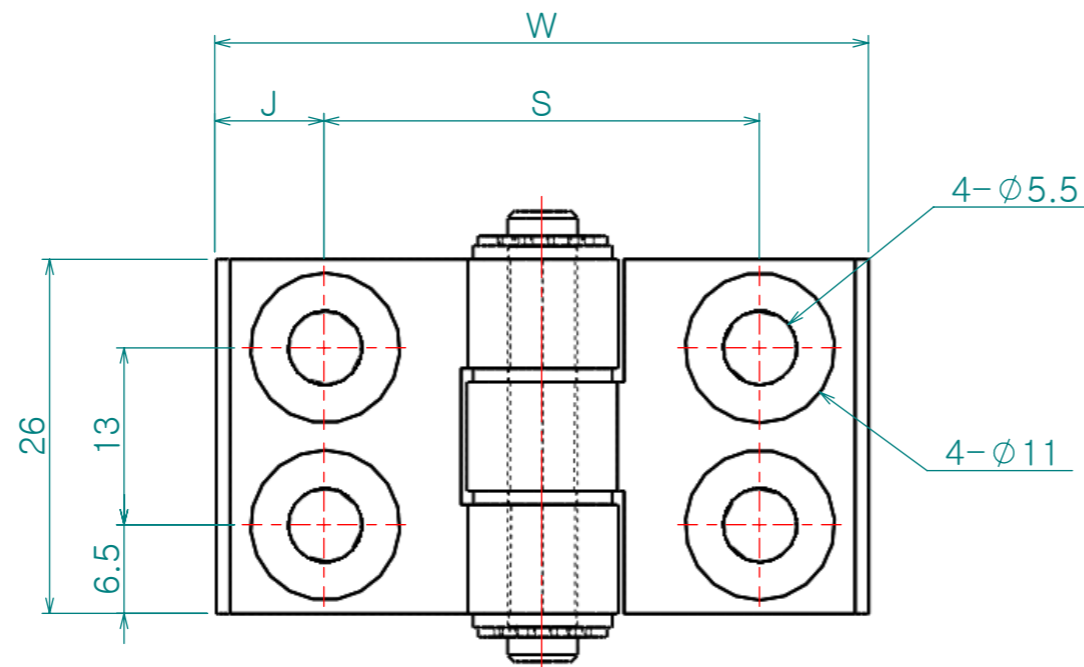


Re. No.	DESCRIPTION	DATE	DS.	CH.	AP.
△					
△					
△					



제품명	W	J	S	T	E	R
CH-HHPSNC1, B	36	7.5	21	3.5	5	5
CH-HHPSNC2, B	48	8	32		5.5	5.5
CH-HHPSNC3, B	62	10	42	4.5	5.5	5.5
CH-HHPSNC4, B	80	16.5	47			

※ 표면처리
 CH-HHPSNC1 - 백색 알루미늄
 CH-HHPSNC1 B - 흑색 알루미늄

Dimension (mm)	Precision	Material	Dwg. No.	QTY
0.5~3	±0.05	A6063S	Part Name.	**
3~6		Finish		**
6~30	±0.1	알루미늄 처리	Ass'y Name	-
30~120	±0.15	Revision	**	Scale
120~315	±0.2	-	Sheet Size	1.8:1
			A3	
315~1000	±0.3	Date	Designed by	Model No.
1000~2000	±0.5	2017-08-02	Shin S H	CH-HHPSNC
		Checked by	Approved by	
		KS B 0412에 준함		