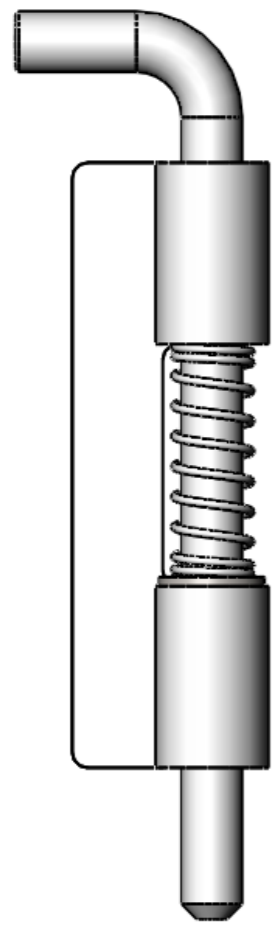
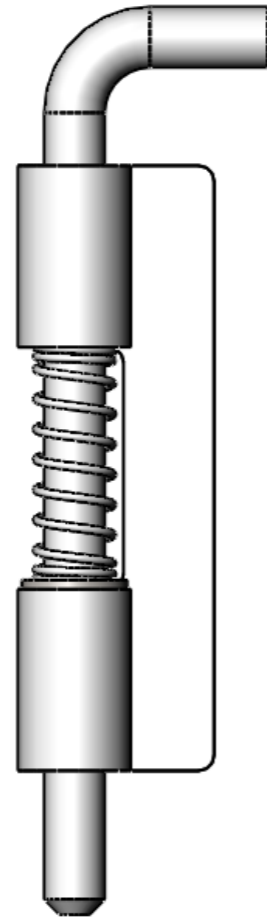


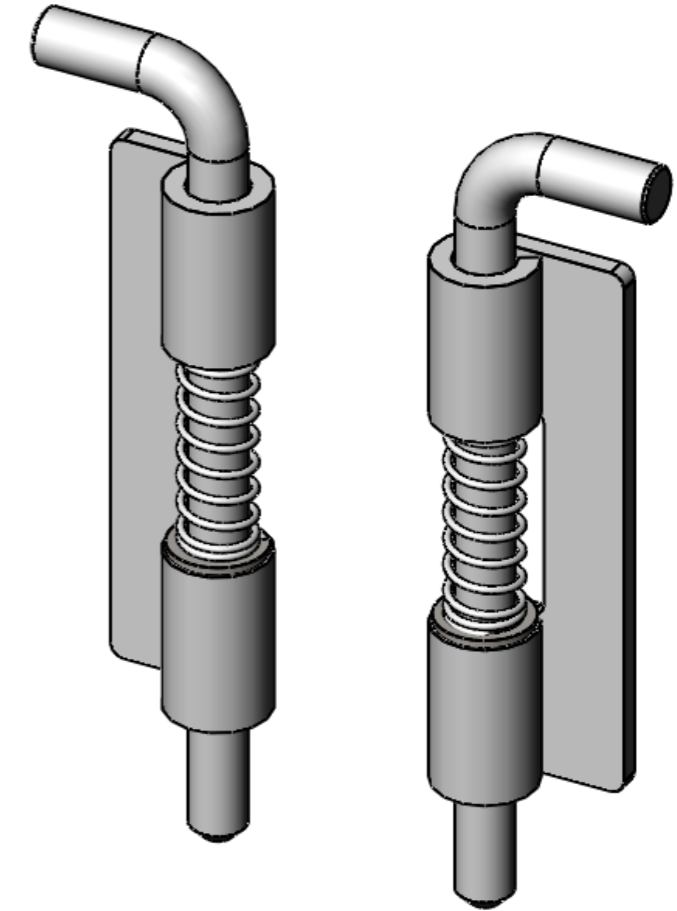
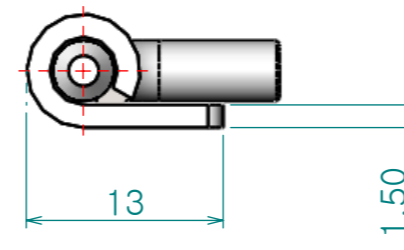
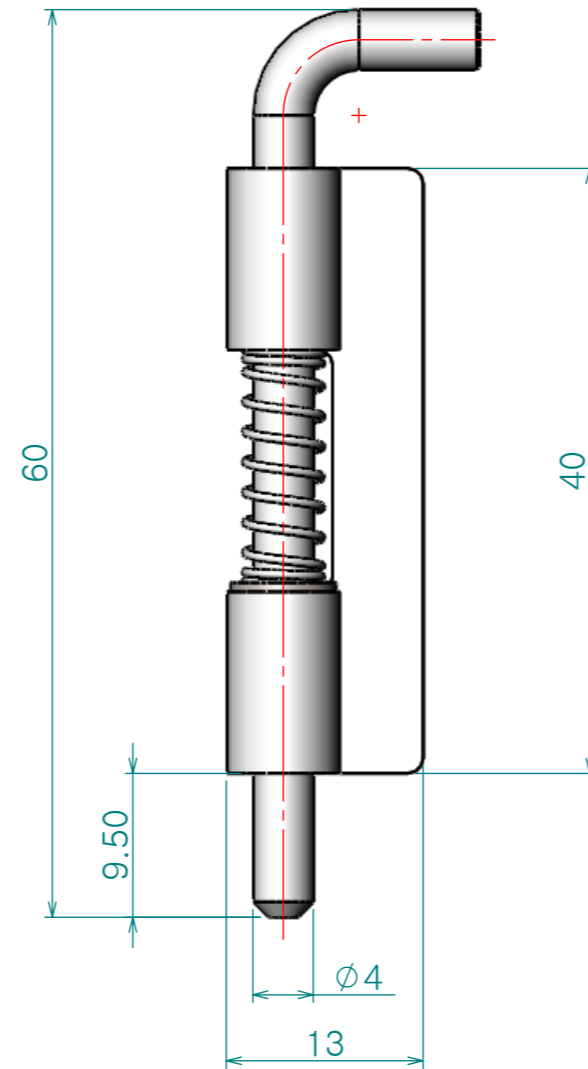
Re. No.	DESCRIPTION	DATE	DS.	CH.	AP.
△					
△					
△					



L-TYPE



R-TYPE



제품명	재 질	표면처리
CH- 039-3SR	STAINLESS	바렐연마
CH- 039-3SL		

Note

- 1. 특징 :
- 2. 용도 :

Dimension (mm)	Precision	Material	Dwg. No.	QTY
0.5~3	±0.05	STAINLESS	CH- 039-3S	**
3~6		Finish		Part Name.
6~30	±0.1	바렐연마	CH- 039-3S	-
30~120	±0.15	Revision	Sheet Size	Scale
120~315	±0.2	-	A3	2:1
315~1000	±0.3	Date	Designed by	Model No.
1000~2000	±0.5	2011-03-21	Shin S H	**
KS B 0412에 준함		Checked by	Approved by	