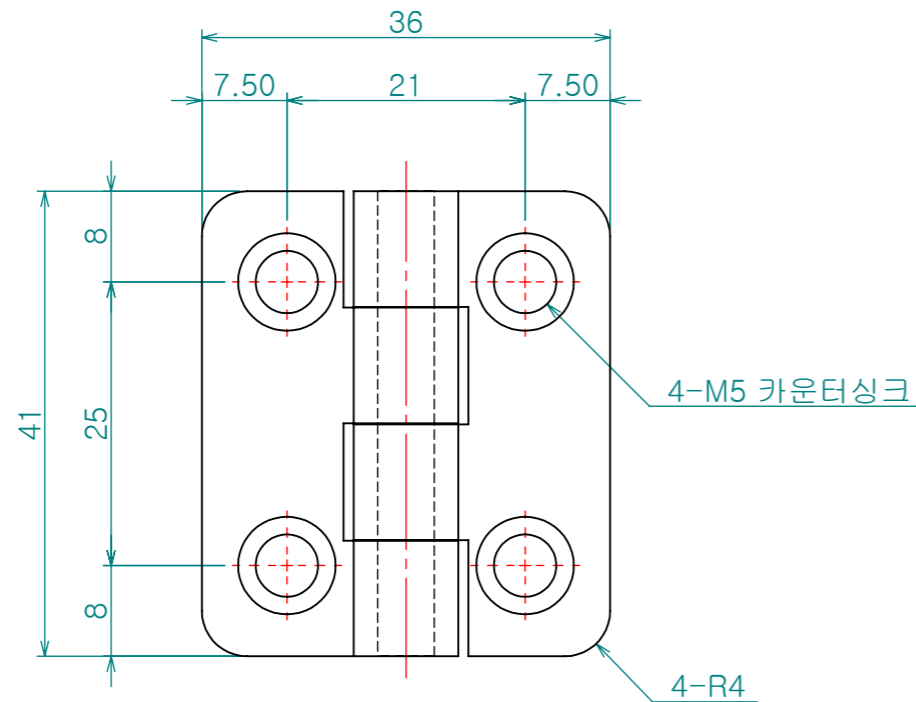
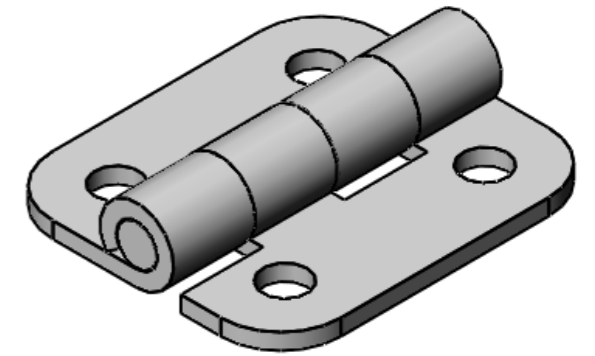
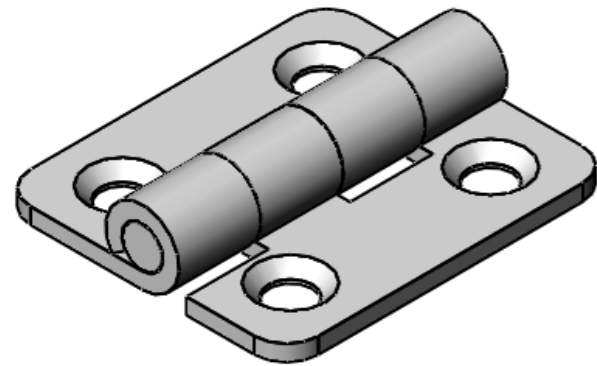
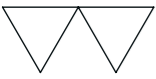
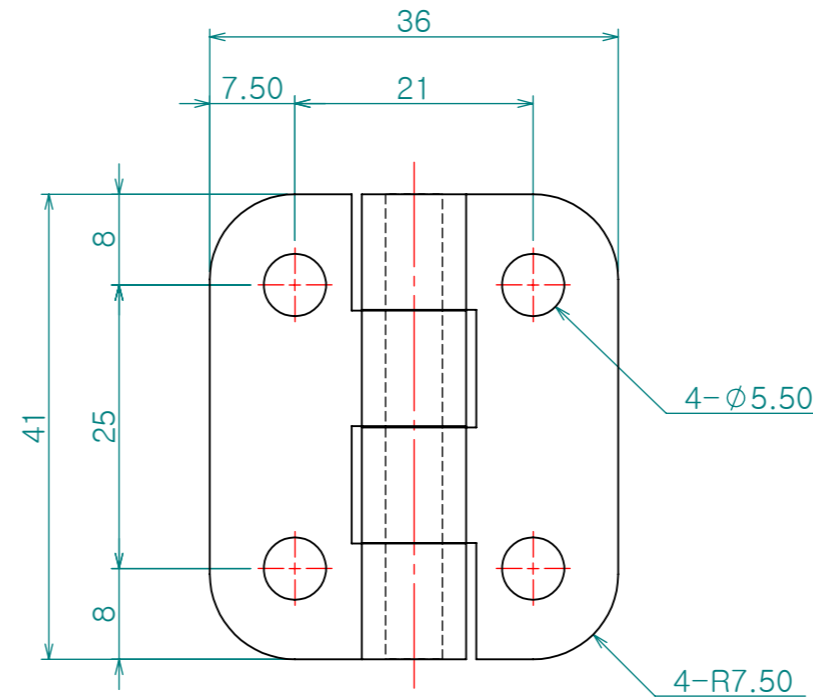


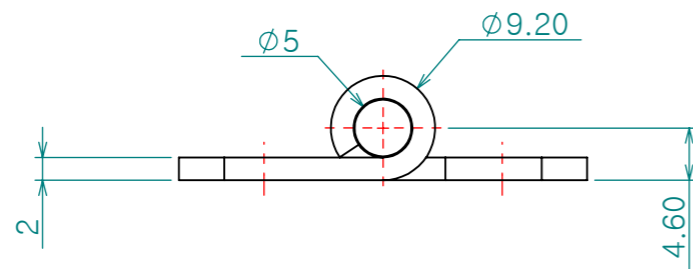
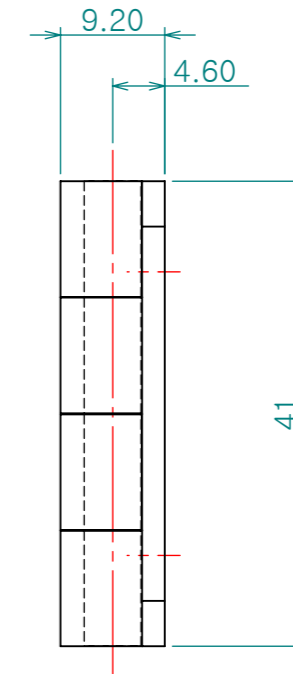
Re. No.	DESCRIPTION	DATE	DS.	CH.	AP.
△					
△					
△					



CH- 042-1



CH- 042-2



Note

- 1. 특징 :
- 2. 용도 :

제품명	재 질
CH- 042-1	STS304
CH- 042-2	STS316

Dimension (mm)	Precision	Material	Dwg. No.	QTY	
0.5~3	±0.05	STS304, STS316	CH- 042	**	
3~6		Finish		Part Name.	Weight
6~30	±0.1	바렐연마	**	-	
30~120	±0.15	Revision	Sheet Size	Scale	
120~315	±0.2	-	A3	1.5:1	
315~1000	±0.3	Date	Designed by	Model No.	
1000~2000	±0.5	2011-04-27	Shin S H		
KS B 0412에 준함		Checked by	Approved by	Hardware	