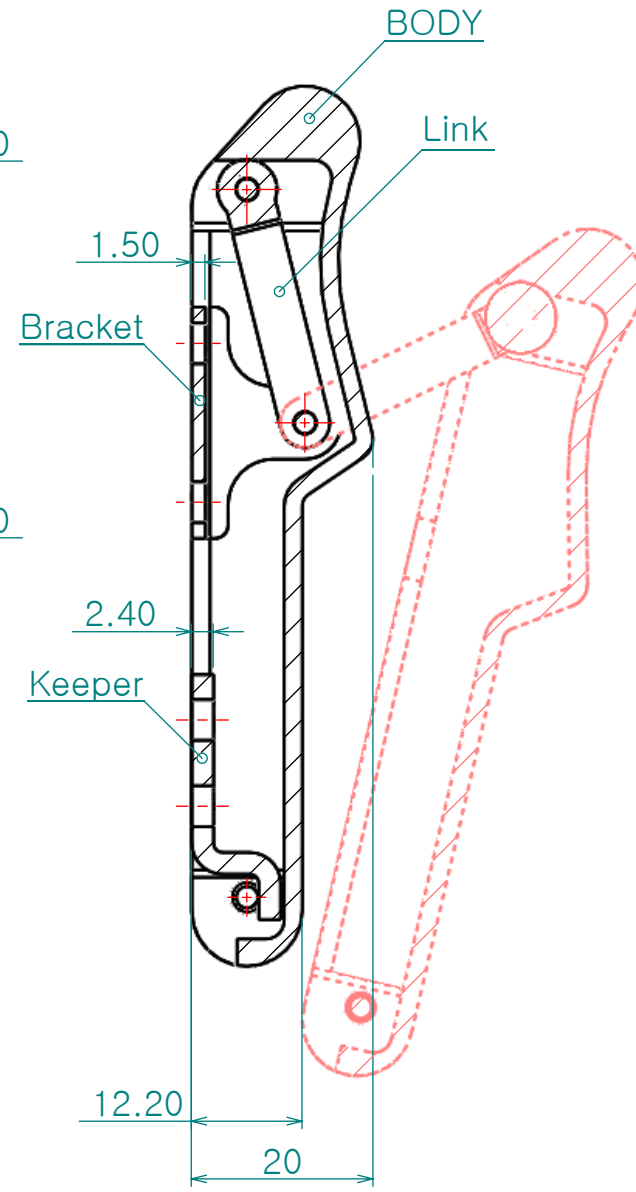
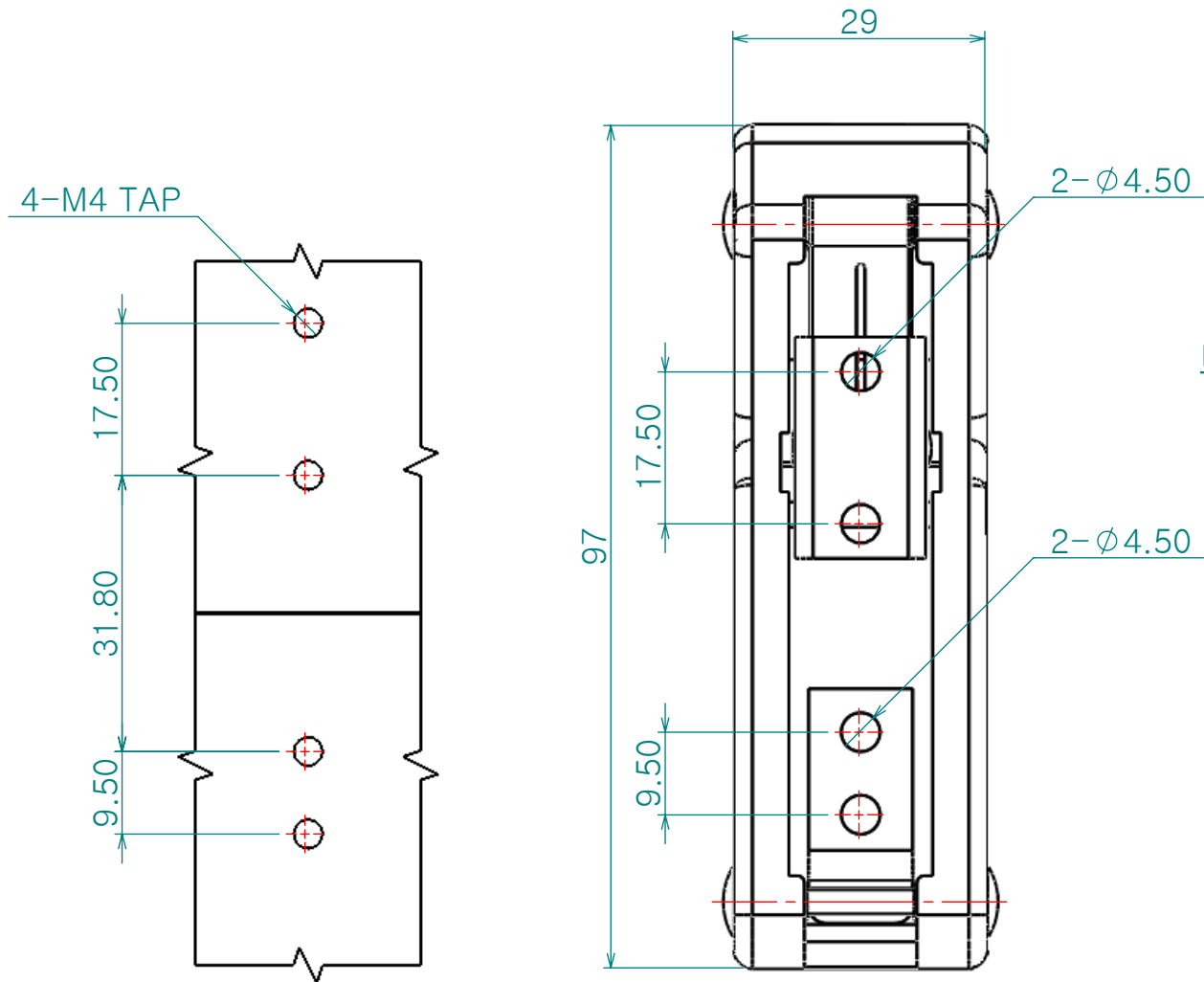
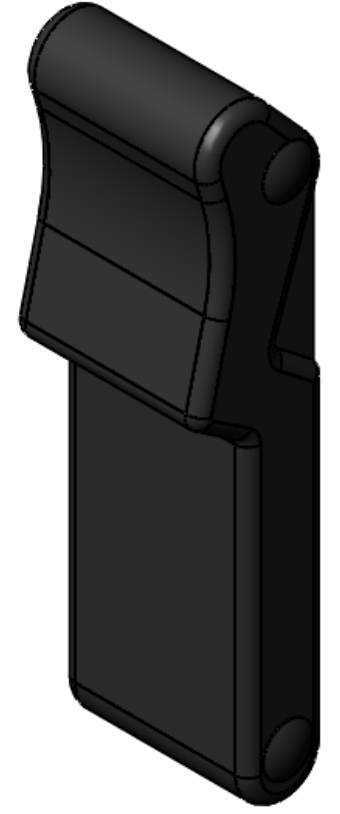
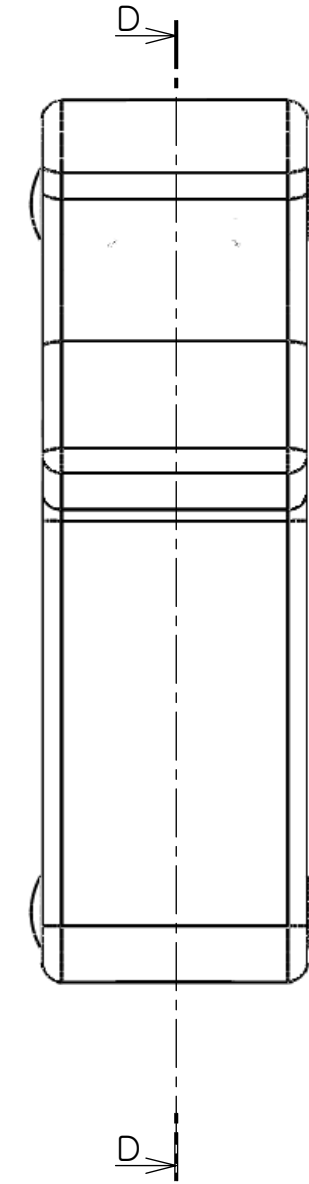


Re. No.	DESCRIPTION	DATE	DS.	CH.	AP.
△					
△					
△					



단면 D-D



Panel Drilling Dimension

Note

- 1. 특징 :
- 2. 용도 :

품명	재질
BODY	Rubber
Link	Nylon
Bracket	STS304
Keeper	STS304

Dimension (mm)	Precision	Material	Dwg. No.	QTY
0.5~3	±0.05	<b>RUBBER</b>	Part Name.	**
3~6		Finish		Weight
6~30	±0.1	<b>Black</b>	**	-
30~120	±0.15	Revision	Sheet Size	Scale
120~315	±0.2	-	<b>A3</b>	1.2:1
315~1000	±0.3	Date	Designed by	Model No.
1000~2000	±0.5	2011-05-02	Shin S H	
KS B 0412에 준함		Checked by	Approved by	<b>CC-1042</b>
				<b>Hardware</b>