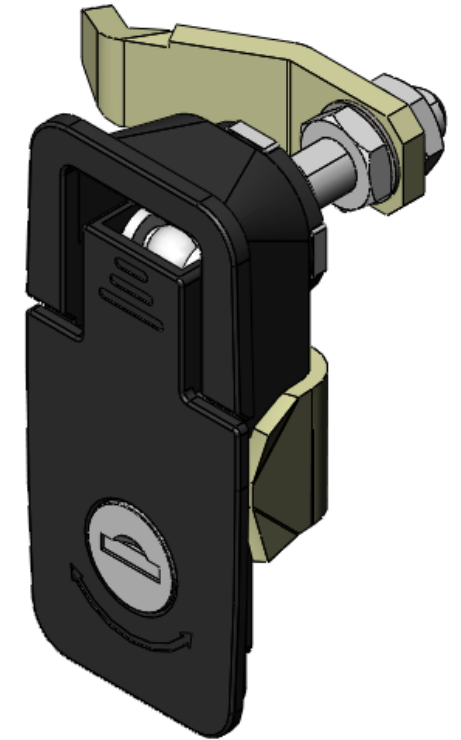
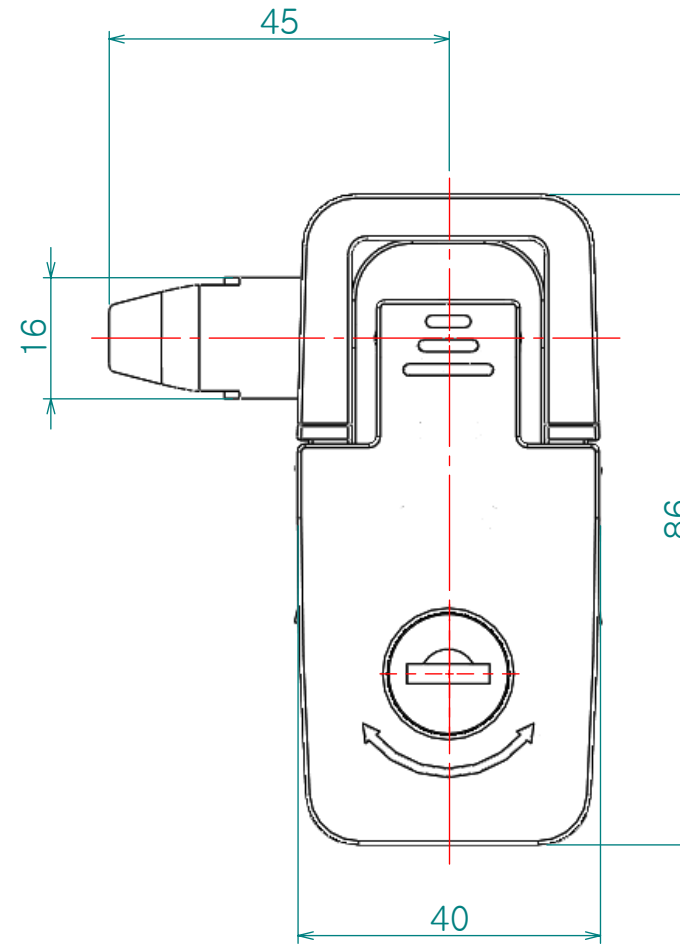
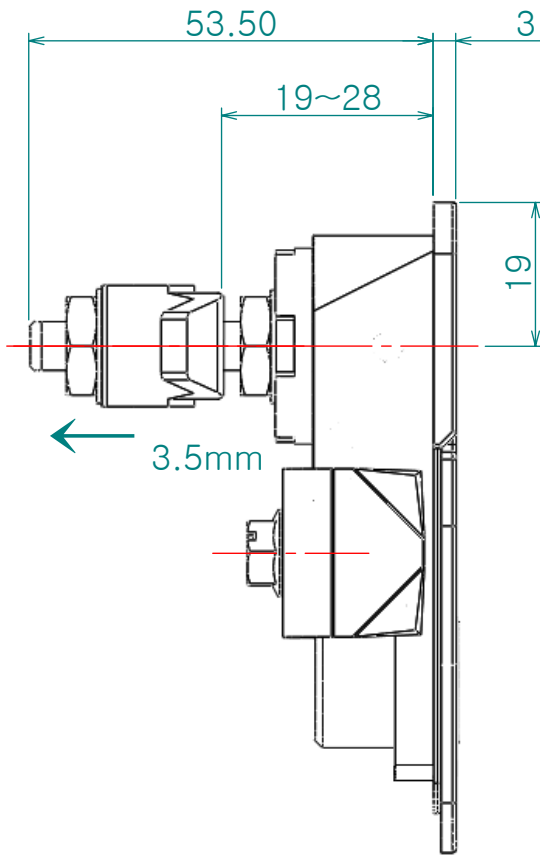
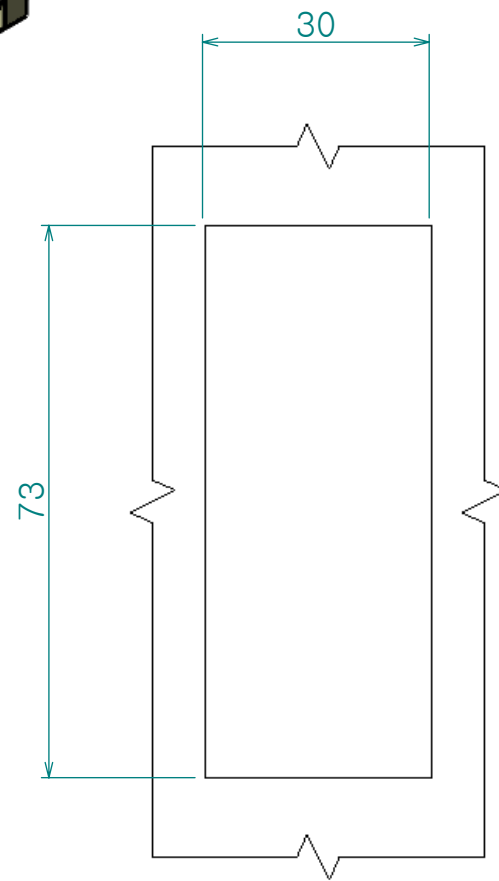
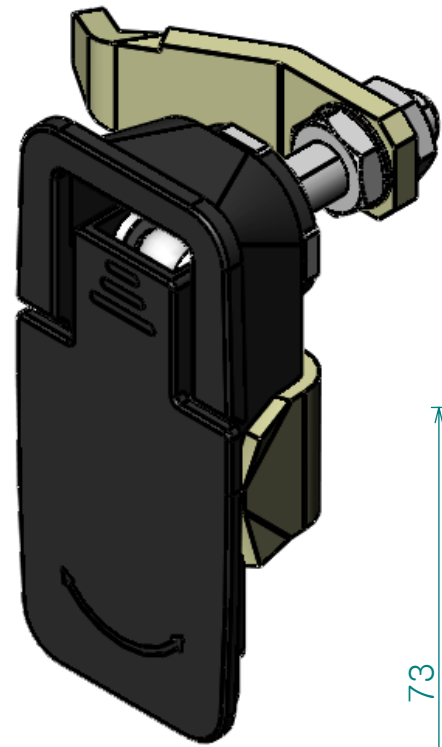
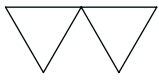


Re. No.	DESCRIPTION	DATE	DS.	CH.	AP.
△					
△					
△					



Panel Drilling Dimension

Note

- 1. 특징 :
- 2. 용도 :

제품명	KEY
CC-1043-1	無
CC-1043-1K	有

Dimension (mm)	Precision	Material	Dwg. No.	QTY
0.5~3	±0.05	아연합금(ZDCII)	Part Name.	**
3~6		Finish		**
6~30	±0.1	BLACK	Ass'y Name	-
30~120	±0.15	Revision	**	Scale
120~315	±0.2	-	Sheet Size	1:1
315~1000	±0.3	Date	Designed by	Model No.
	1000~2000	±0.5	2011-04-26	
KS B 0412에 준함		Checked by	Approved by	CC-1043