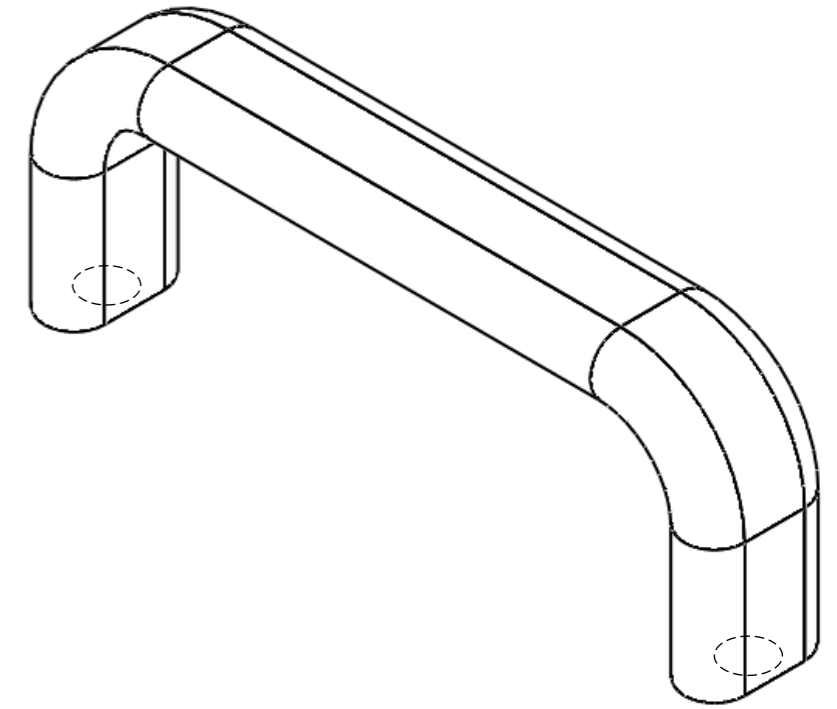
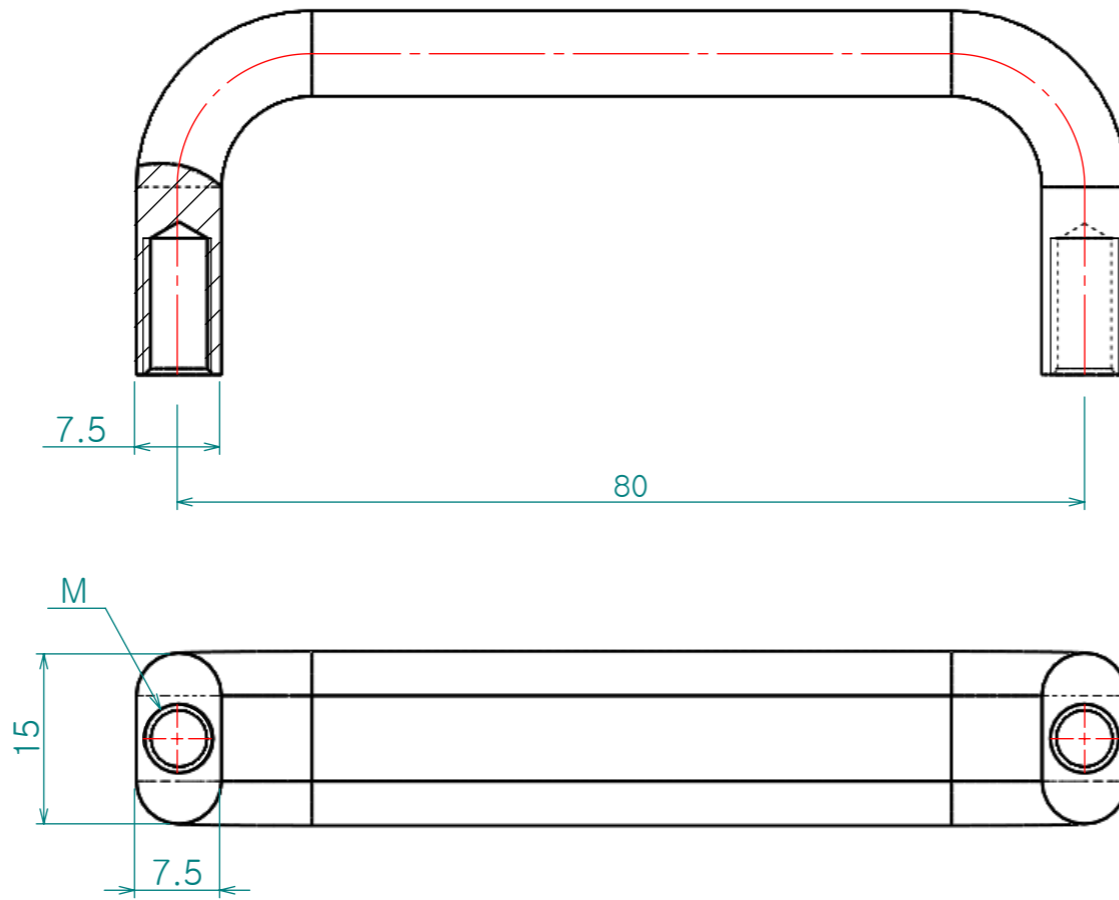
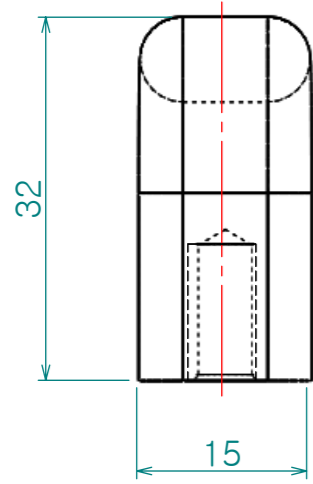


Dwg. No.

Re. No.	DESCRIPTION	DATE	DS.	CH.	AP.
△					
△					
△					



제품명	M	L	재질	표면처리
CA-1039	M5 , M6	60, 80, 90, 100, 120, 160, 180, 235 mm	AL6061	Silver Anodized
				Black Anodized

Note

- 1. 특징 :
- 2. 용도 :

Dimension (mm)	Precision	Material	Dwg. No.	QTY
0.5~3	±0.05	AL6061	Part Name.	*EA
3~6		Finish		**
6~30	±0.1	**	Ass'y Name	-
30~120	±0.15	Revision	**	Scale
120~315	±0.2	-	Sheet Size	1.5:1
			<b>A3</b>	
315~1000	±0.3	Date	Designed by	Model No.
1000~2000	±0.5	2014-06-05	Shin S H	<b>CA-1039</b>
		Checked by	Approved by	
KS B 0412에 준함				