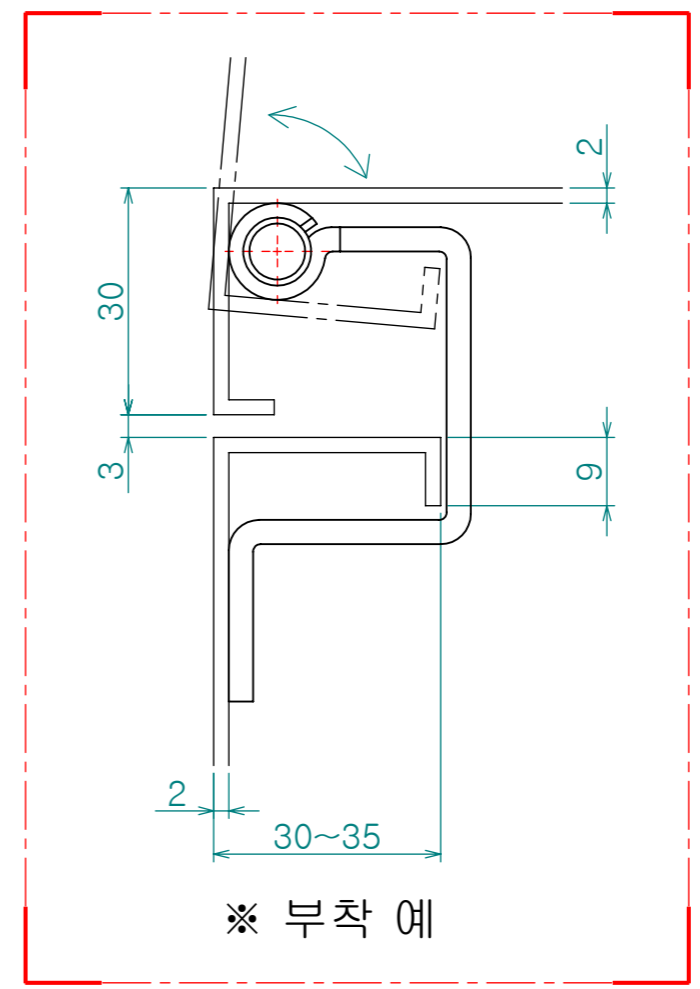
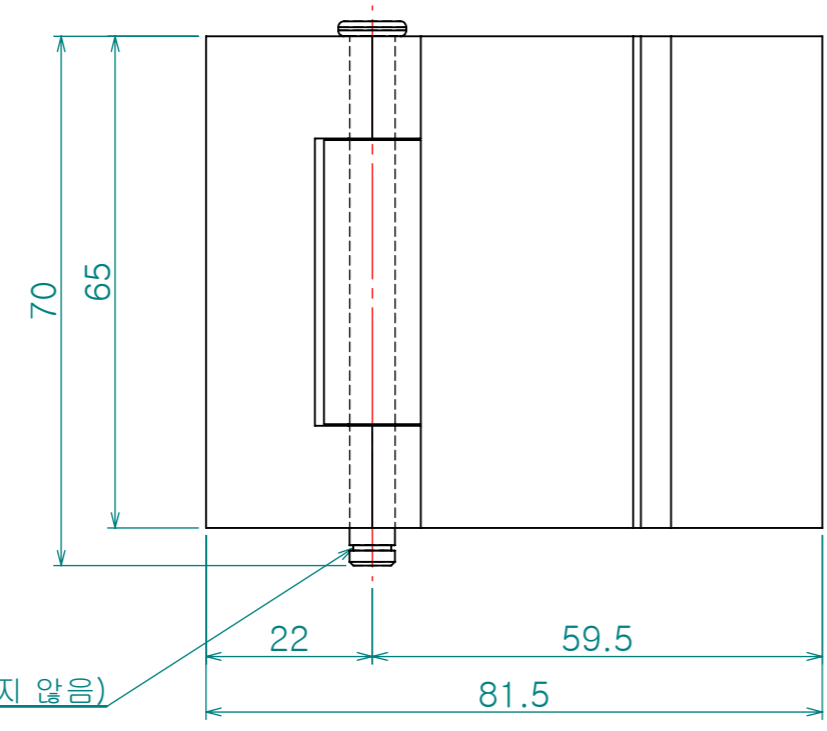
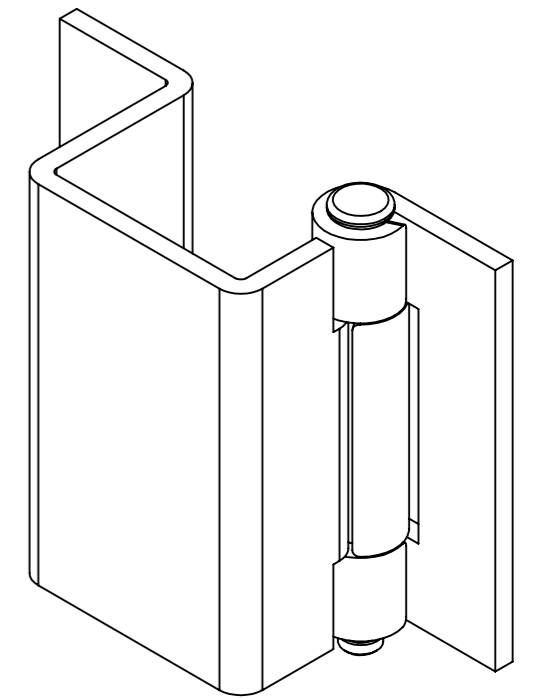
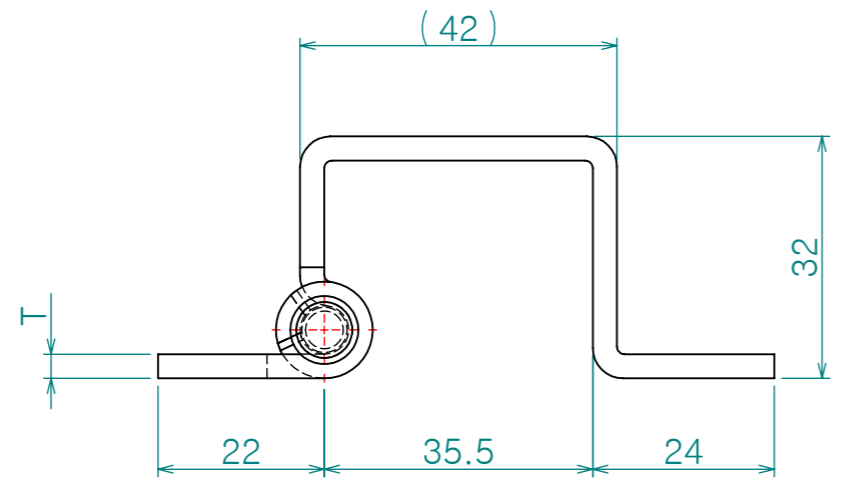


Re. No.	DESCRIPTION	DATE	DS.	CH.	AP.
△					
△					
△					



Note

- 1. 특징 :
- 2. 용도 :

제품명	T	재질	표면처리
CH- 059-1	3.2	SPCC	바렐연마
CH- 059-1S	3.0	STS304	

Dimension (mm)	Precision	Material **	Dwg. No.	QTY **
0.5~3	±0.05	Finish **	Part Name. **	Weight -
3~6				
6~30	±0.1	Revision -	Sheet Size <b>A3</b>	Ass'y Name **
30~120	±0.15			
120~315	±0.2	Date 2014-06-11	Designed by <i>Shin S H</i>	Model No. <b>CH- 059</b>
315~1000	±0.3	Checked by	Approved by	
1000~2000	±0.5	KS B 0412에 준함		Scale 1:1