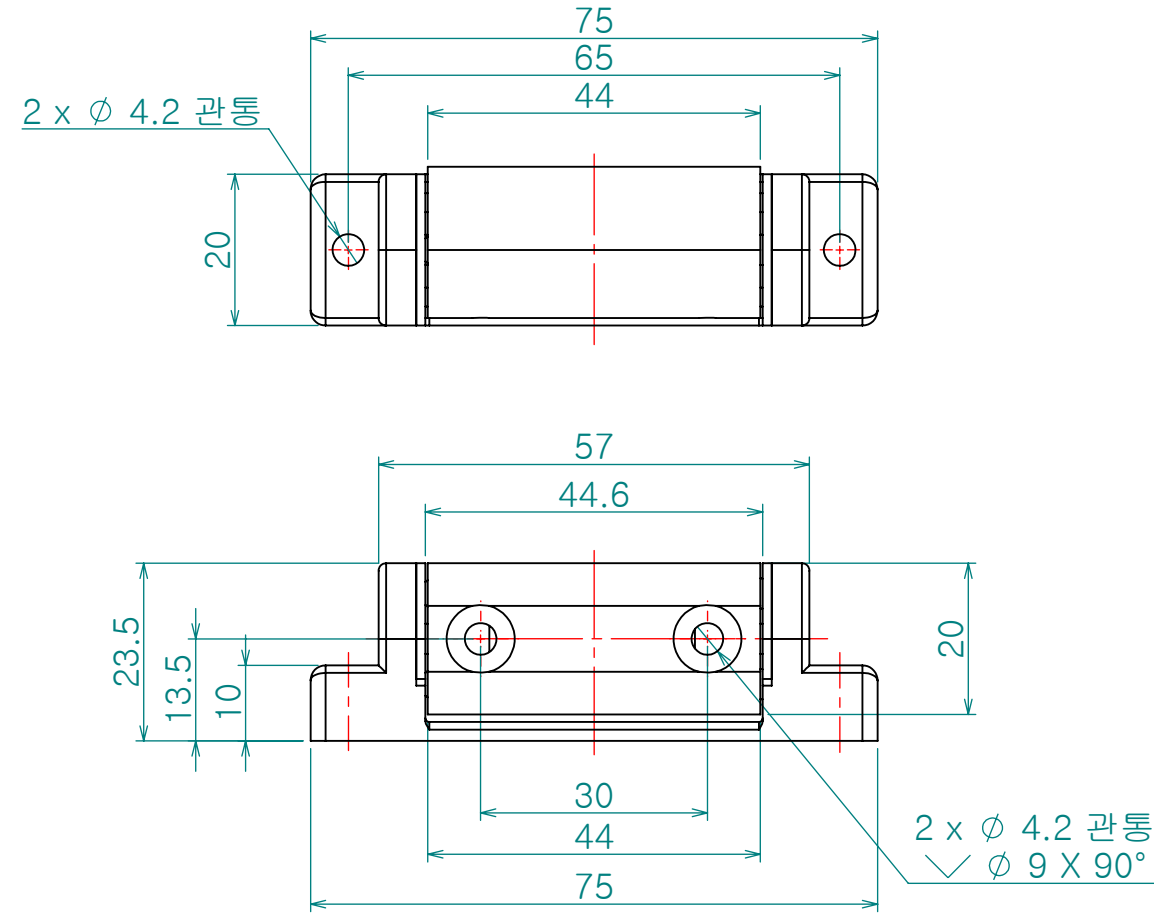
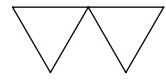
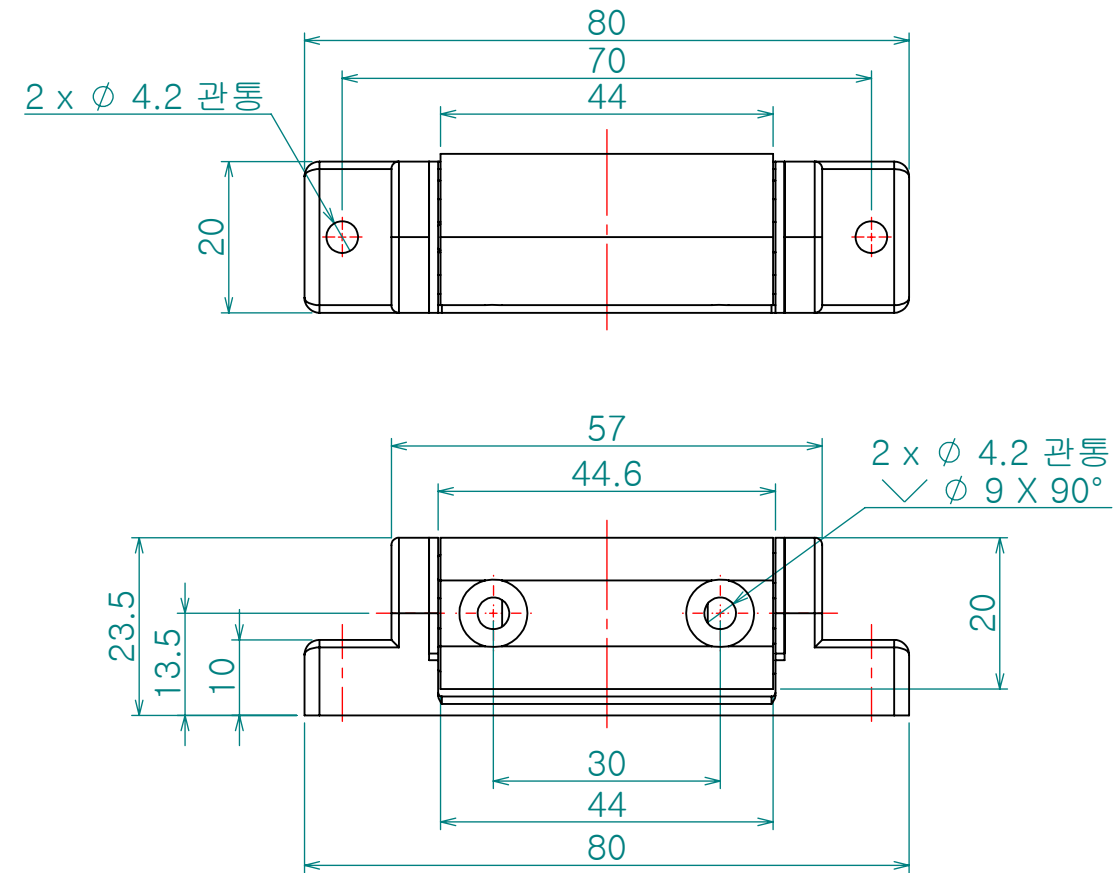
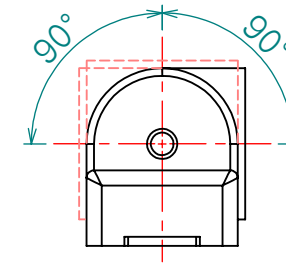
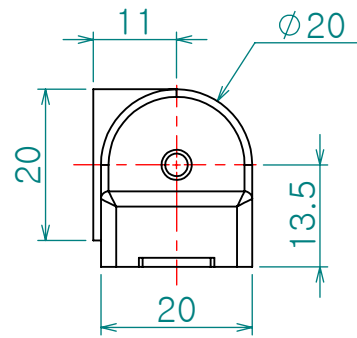
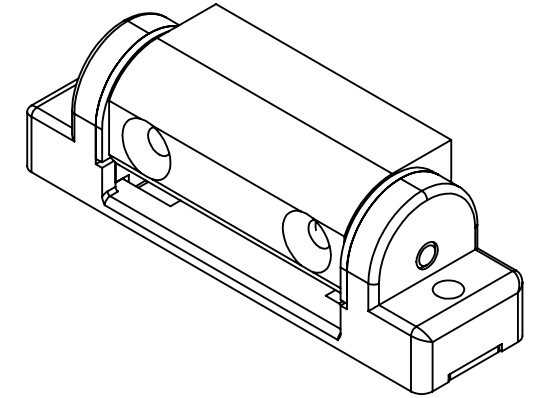


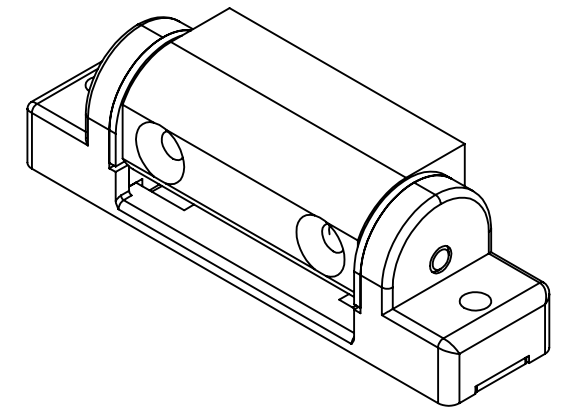
| Re. No. | DESCRIPTION | DATE | DS. | CH. | AP. |
|---------|-------------|------|-----|-----|-----|
| △       |             |      |     |     |     |
| △       |             |      |     |     |     |
| △       |             |      |     |     |     |



CH-B-845



CH-B-845(S)



Note

1. 특징 :
2. 용도 :

|                |           |             |            |        |
|----------------|-----------|-------------|------------|--------|
| Dimension (mm) | Precision | Material    | Dwg. No.   | QTY    |
| 0.5~3          |           | STS304      |            | **     |
| 3~6            | ±0.05     | Finish      | Part Name. | Weight |
| 6~30           | ±0.1      | 광택연마        | **         | -      |
| 30~120         | ±0.15     | Revision    | Ass'y Name | Scale  |
| 120~315        | ±0.2      | -           | **         | 1:1    |
| 315~1000       | ±0.3      | Date        | Model No.  |        |
| 1000~2000      | ±0.5      | 2014-06-11  | CH-B-845   |        |
| KS B 0412에 준함  |           | Designed by | Hardware   |        |
|                |           | Shin S H    |            |        |
|                |           | Checked by  |            |        |
|                |           | Approved by |            |        |