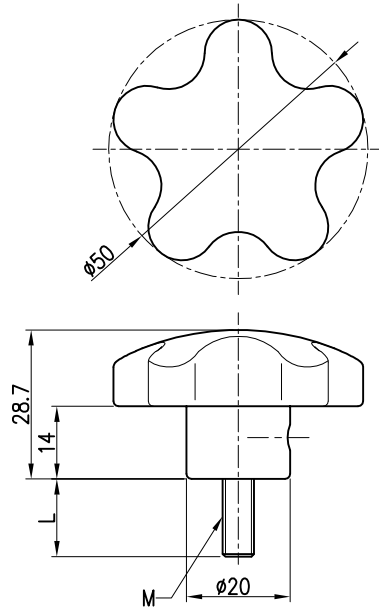
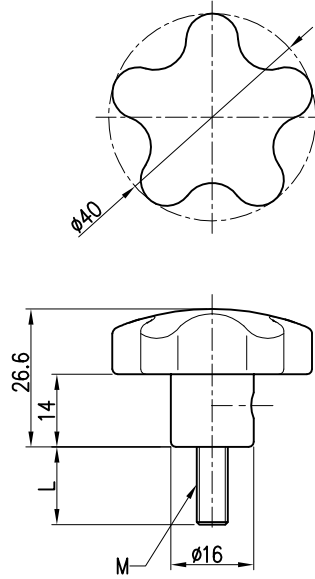


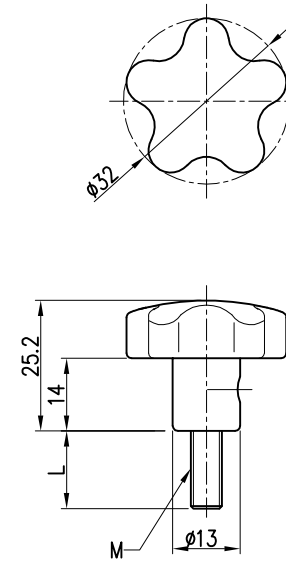
NO	REVISION RECORD	DATE	CHK.	APPR.



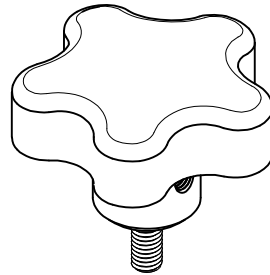
CA-1056L / BOLT TYPE



CA-1056M / BOLT TYPE



CA-1056S / BOLT TYPE



TYPE	규격	제품명	M	L (Tap Length / ±1mm)
BOLT	1056L (ø50)	CA-1056L-1	M6	15, 20, 25
		CA-1056L-2	M8	15, 20, 30, 40, 50
		CA-1056L-3	M10	15, 25, 30, 40, 50, 60
		CA-1056L-4	M12	15, 20, 30, 40
	1056M (ø40)	CA-1056M-1	M6	15, 20, 25
		CA-1056M-2	M8	15, 20, 30, 40, 50
		CA-1056M-3	M10	15, 25, 30, 40, 50, 60
	1056S (ø32)	CA-1056S-1	M6	15, 20, 25
		CA-1056S-2	M8	15, 20, 30, 40, 50

TOLERANCE(mm)
(KS B 0412에 준함)

6 이하	±0.05
6 ~ 30	±0.1
30 ~ 120	±0.15
120 ~ 315	±0.2
300 ~ 1000	±0.3
1000 ~ 2000	±0.5

Note

1. 표징 :
2. 용도 :

FINISH	MATERIAL	UNIT	mm	NO.	DESCRIPTION	DWG. NO	QTY	REMARK
도금 : 광택연마	STS304	APP.		S,H,KIM	DWG. NO.	-		V1.0
도장 : -	CASTING	DWG.	2018.10.30	S,H,OH	PART NAME	-		
QTY				1/1	ASS'Y NAME	스텐 오각노브(BOLT Type)		
1 EA/SET	Hardware			A3	MODEL NO.	CA-1056/BOLT		