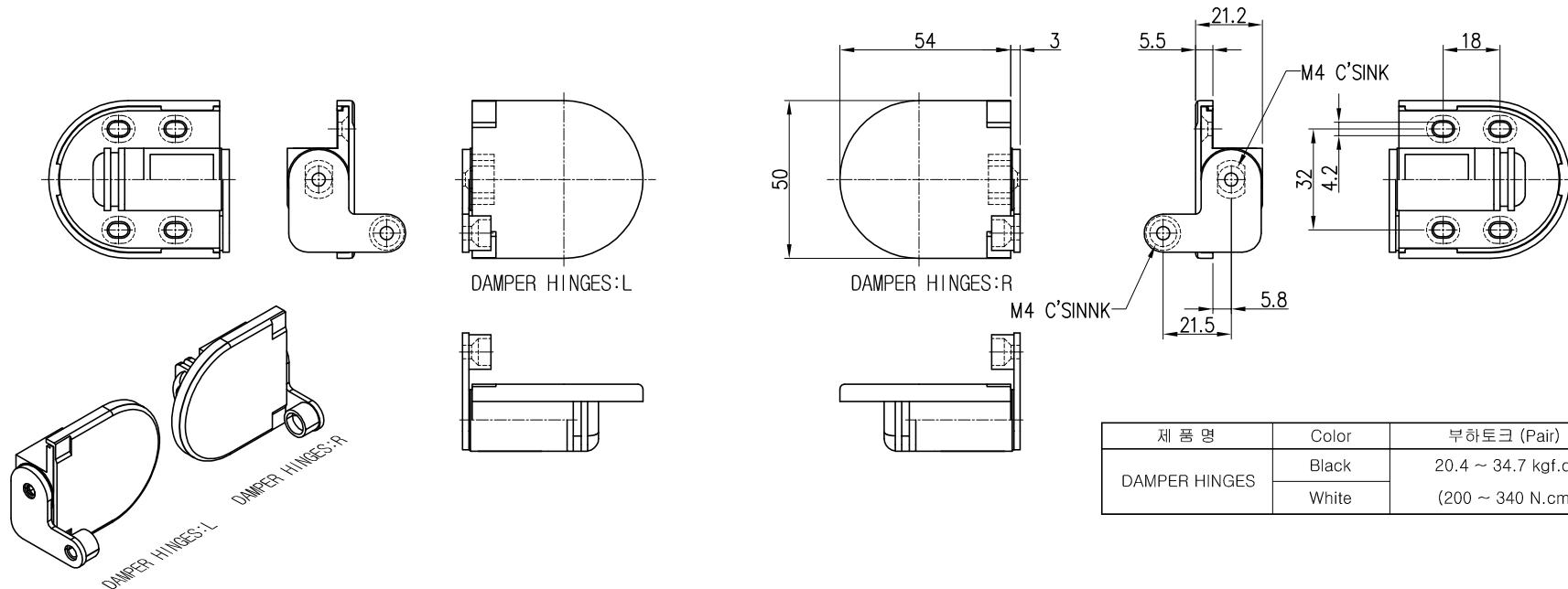
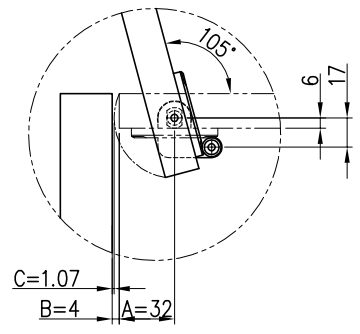


The use or communication of the contents there of are forbidden without express authority.(당사의 사전 허락없이 무단 전제 및 복사를 금함)

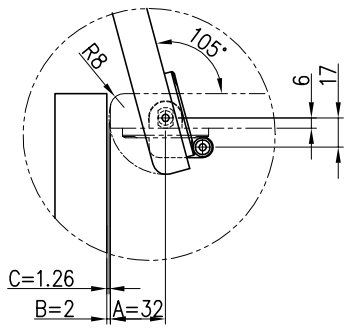
NO	REVISION RECORD	DATE	CHK.	APPR.



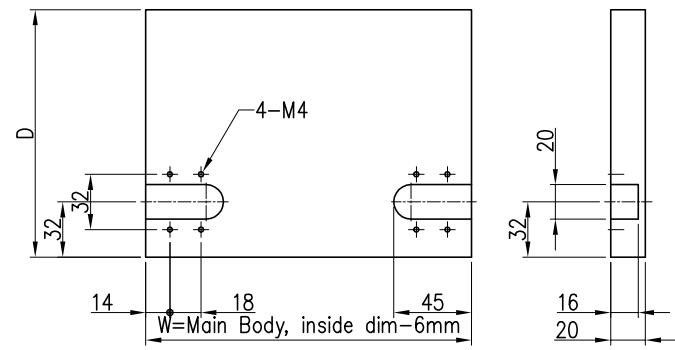
제품명	Color	부하토크 (Pair)
DAMPER HINGES	Black	20.4 ~ 34.7 kgf.cm
	White	(200 ~ 340 N.cm)



STANDARD INSTALLATION
SCALE 1/2



STANDARD INSTALLATION(FOR ROUND EDGE)
SCALE 1/2



CUT OUT DIMENSIONS
SCALE 1/2

TOLERANCE(mm) (KS B 0412에 준함)	
6 이하	±0.05
6 ~ 30	±0.1
30 ~ 120	±0.15
120 ~ 315	±0.2
300 ~ 1000	±0.3
1000 ~ 2000	±0.5

FINISH	MATERIAL	UNIT	mm	NO.	DESCRIPTION	DWG. NO	QTY	REMARK
도금 : - 도장 : -	POM CASTING	APP. DWG.	2018.11.20 2018.11.20	S,H,KIM S,H,OH	DWG. NO. PART NAME	-	-	V1.0
QTY	Hardware			1/1	ASS'Y NAME	-		
1 EA/SET	A3			MODEL NO.	DAMPER HINGES			