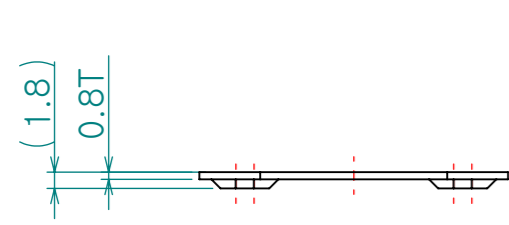
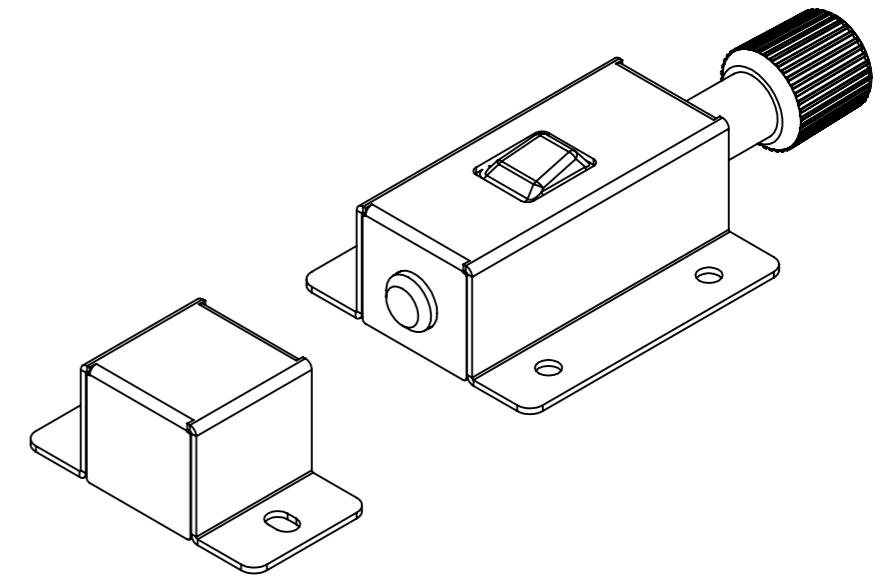
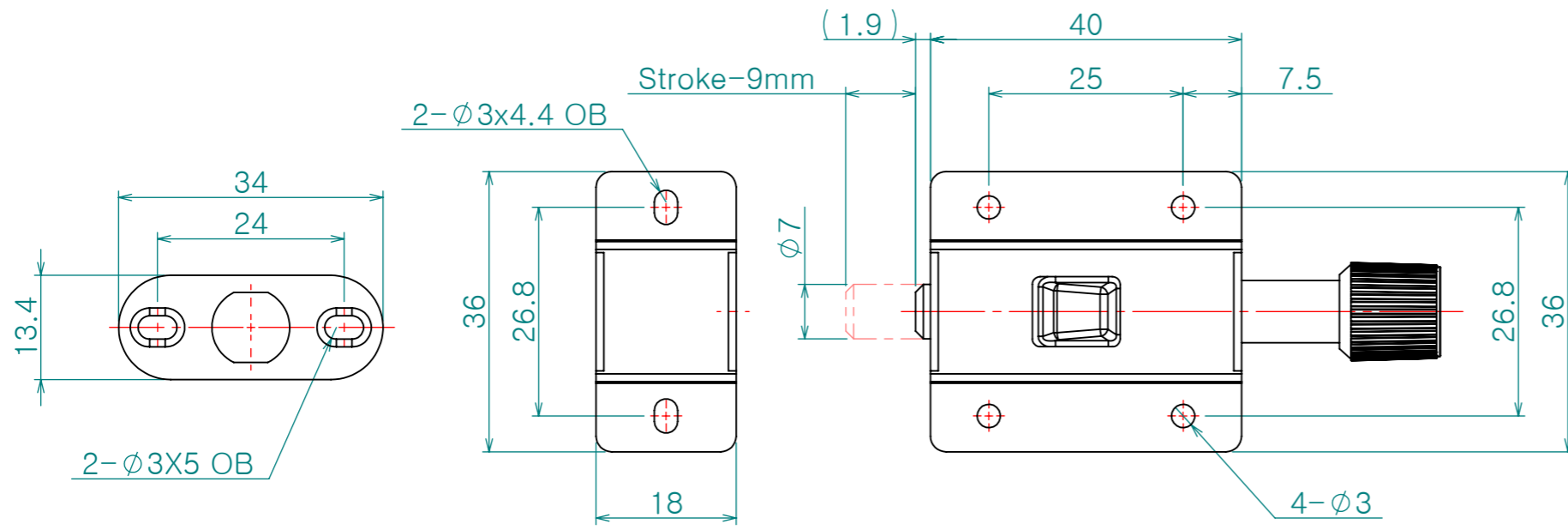
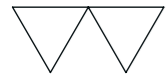
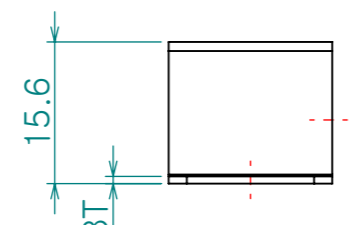


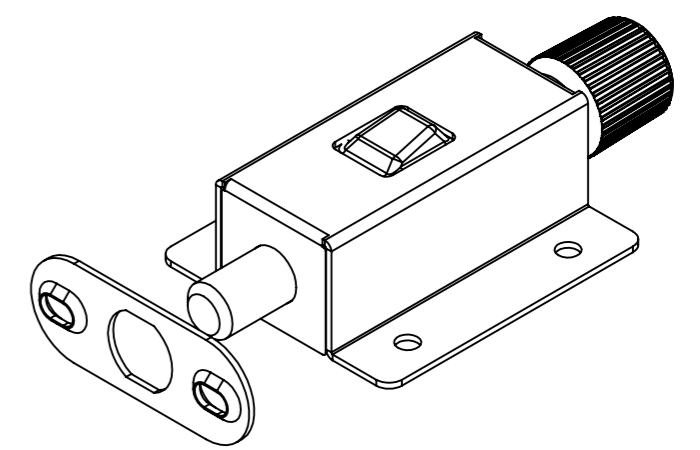
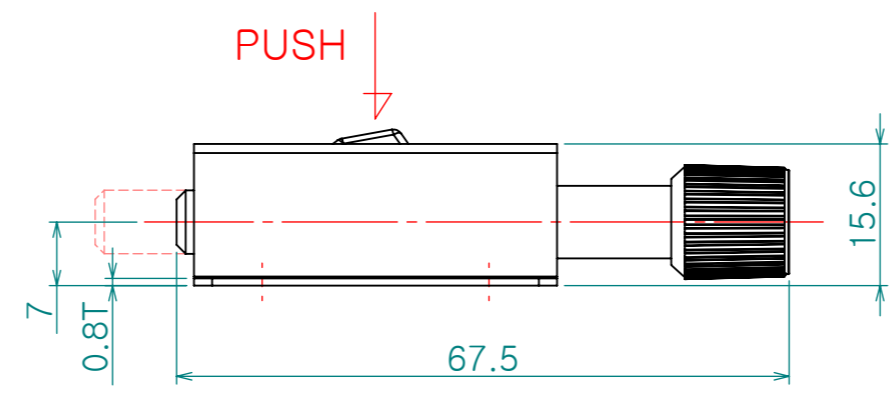
Re. No.	DESCRIPTION	DATE	DS.	CH.	AP.
△					
△					
△					



Catch-B



Catch-A



Note

- 1. 특징 :
- 2. 용도 :

Dimension (mm)	Precision	Material	Dwg. No.	QTY
0.5~3	±0.05	STS304	Part Name.	**
3~6		Finish		**
6~30	±0.1	HAIRLINE	Ass'y Name	-
30~120	±0.15	Revision	**	Scale
120~315	±0.2	-	Sheet Size	1.2:1
315~1000	±0.3	Date	A3	Model No.
	±0.5	2015-03-20	Designed by	
1000~2000		Checked by	Shin S H	Approved by
KS B 0412에 준함		Hardware		