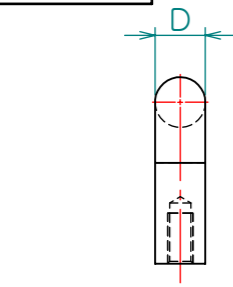
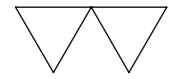
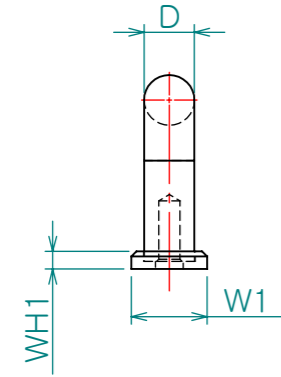
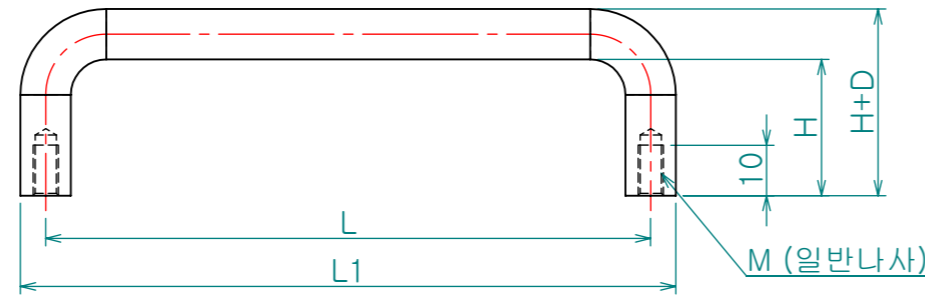


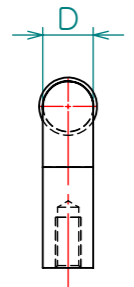
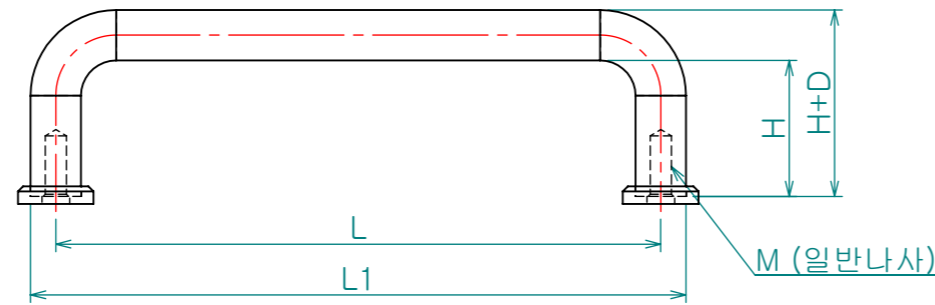
Re. No.	DESCRIPTION	DATE	DS.	CH.	AP.
△					
△					
△					



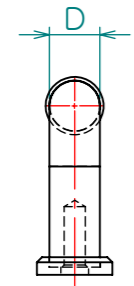
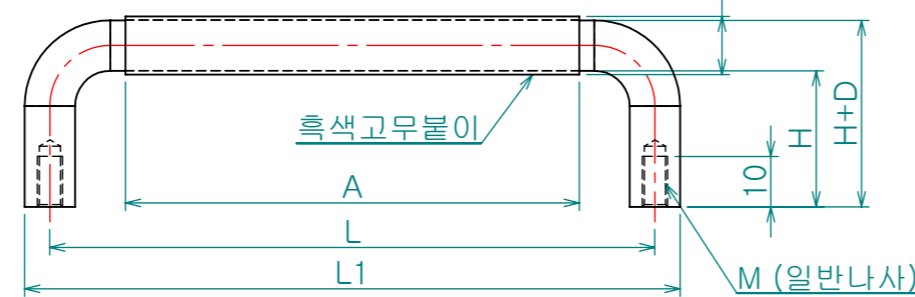
◆ A-TYPE (고무없음, 와셔 없음)



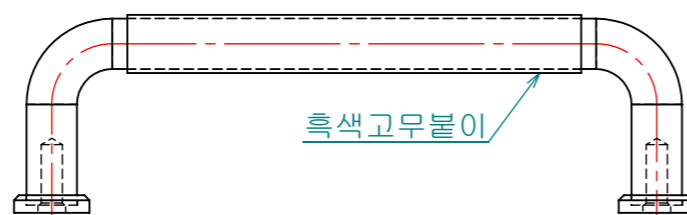
◆ AW-TYPE (고무없음, 와셔 있음)



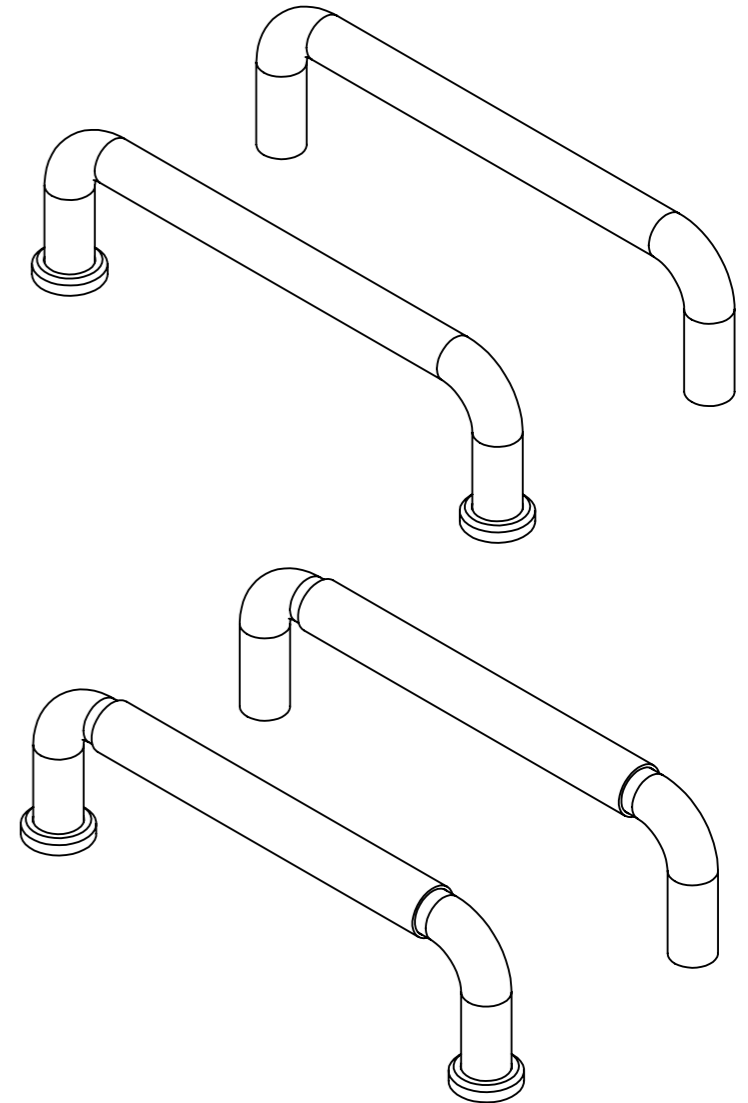
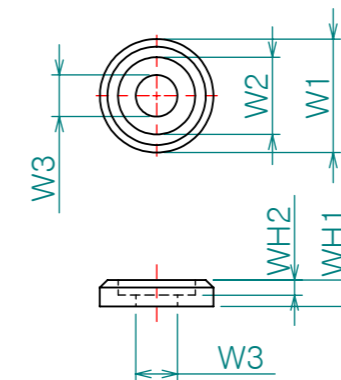
◆ B-TYPE (고무있음, 와셔 없음)



◆ BW-TYPE (고무있음, 와셔 있음)



◆ 와셔



제품명	NO	D	L	H	L1	M	A	t	W1	W2	W3	WH1	WH2
CA-1045-1027A CA-1045-1027AW CA-1045-1050B CA-1045-1050BW	1	10	80	27 50	90	5	50	11.5	15	10.2	5.5	3.5	2
	2		100		110		70						
	3		110		120		80						
	4		120		130		90						
	5		125		135		95						
	6		160		170		130						
	7		200		210		170						
	8		250		260		220						
CA-1045-1240A CA-1045-1240AW CA-1045-1275B CA-1054-1275BW	1	12	150	40 75	162	8	120	13.5	16	12.2	8.5	4	2
	2		188		200		158						
	3		238		250		208						
	4		288		300		258						

Dimension (mm)	Precision	Material	Dwg. No.	QTY
0.5~3	±0.05	STEEL	Part Name.	*EA
3~6		Finish		Weight
6~30	±0.1	크롬도금	**	-
30~120	±0.15	Revision	Sheet Size	Scale
120~315	±0.2	-	A3	1:1.5
315~1000	±0.3	Date	Designed by	Model No.
	1000~2000	±0.5	2015-03-19	
KS B 0412에 준함		Checked by	Approved by	CA-1045