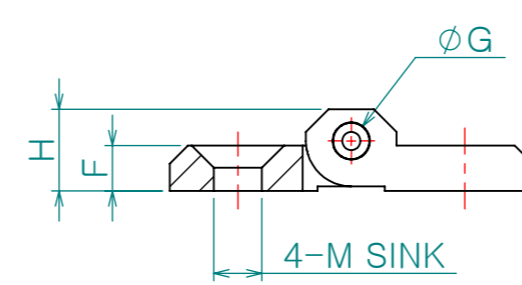
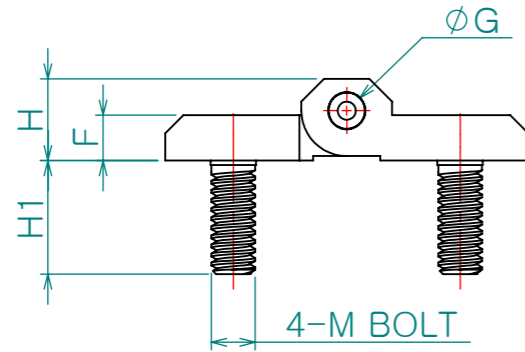
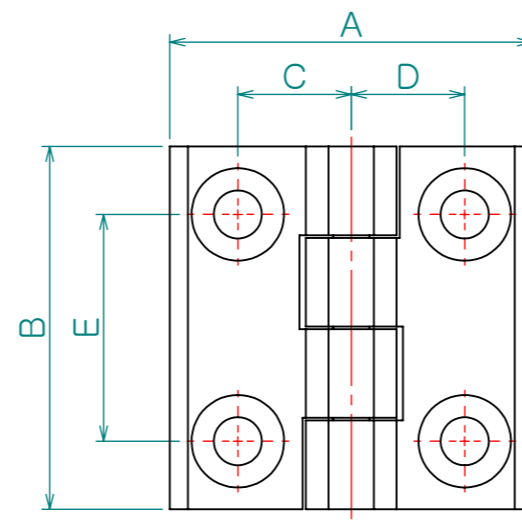
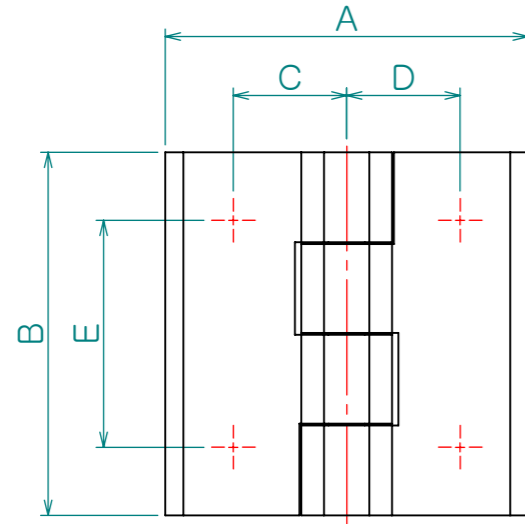
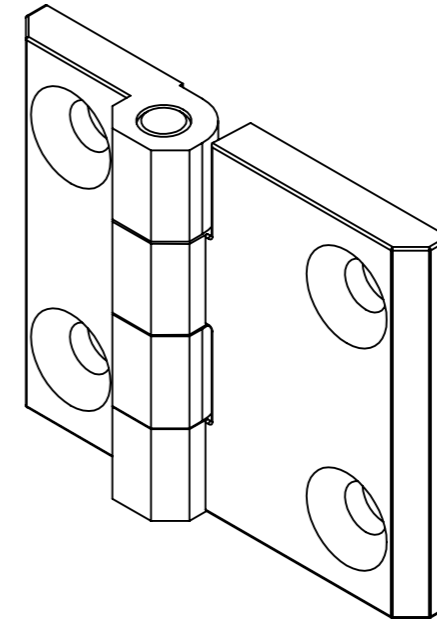


Re. No.	DESCRIPTION	DATE	DS.	CH.	AP.
△					
△					
△					

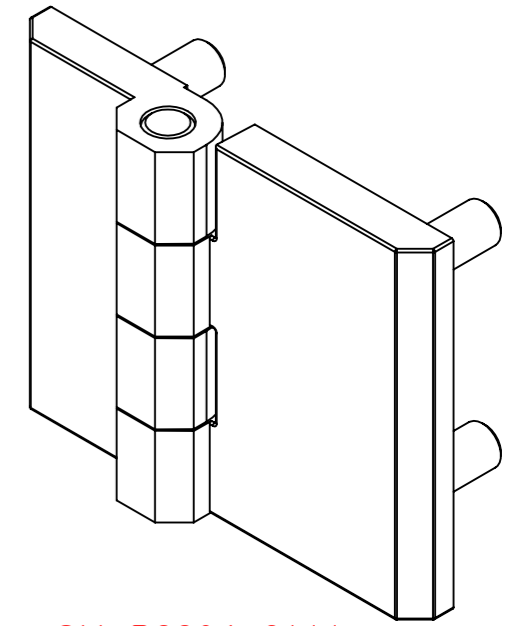


BOLT TYPE

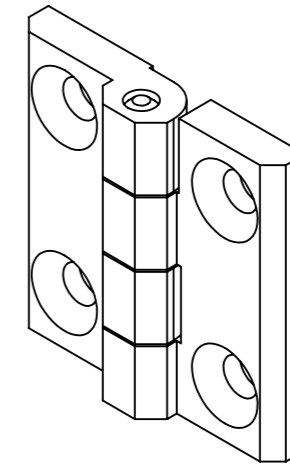
SINK TYPE



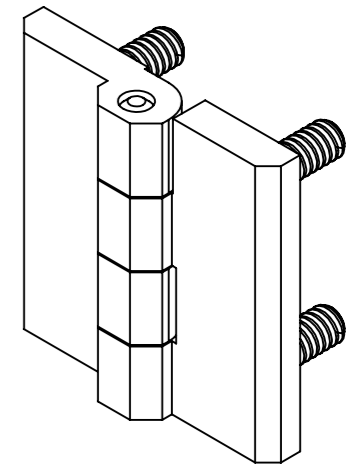
CH-B2204-6211



CH-B2204-6111



CH-B2204-1211



CH-B2204-1111

제품명 BOLT TYPE	제품명 SINK TYPE	4-M	A	B	C	D	E	F	G	H	H1
CH-B2204-1111	CH-B2204-1211	M5	40	40	12.5	12.5	25	5	4	9	12.5
CH-B2204-2111	CH-B2204-2211	M6	50	50	15	15	30	6	6	11.5	13
CH-B2204-3111	CH-B2204-3211	M8	60	60	18	18	36	8	8	15	14
CH-B2204-4111	CH-B2204-4211	M6	76	50	28	28	30	6	6	11.5	15
CH-B2204-5111	CH-B2204-5211	M8	120	60	45	45	36	8	8	15	14
CH-B2204-6111	CH-B2204-6211	M6	63	50	15	28	30	6	6	11.5	15
CH-B2204-7111	CH-B2204-7211	M8	90	60	18	45	36	8	8	15	14

Note

1. 특징 :

2. 용도 :

Dimension (mm)	Precision	Material	Dwg. No.	QTY
0.5~3	±0.05	Zink alloy	Part Name.	**
3~6		Finish		Weight
6~30	±0.1	Black	**	-
30~120	±0.15	Revision	Ass'y Name	Scale
120~315	±0.2	-	**	1.2:1
315~1000	±0.3	Date	Model No.	
1000~2000	±0.5	2015-04-03	CH-B2204	
KS B 0412에 준함		Designed by		
		Shin S H		
		Checked by		
		Approved by		