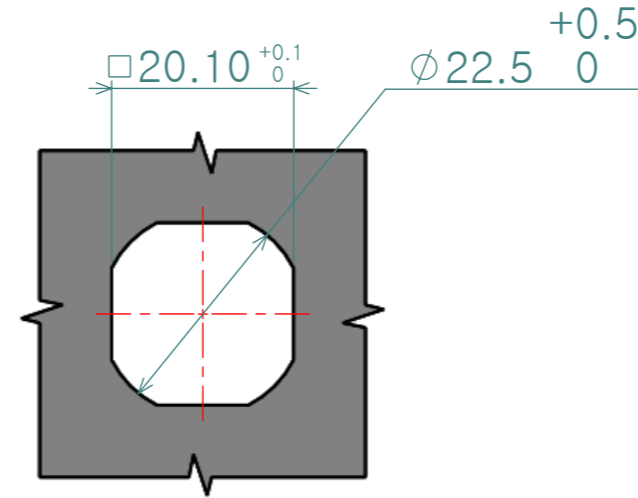
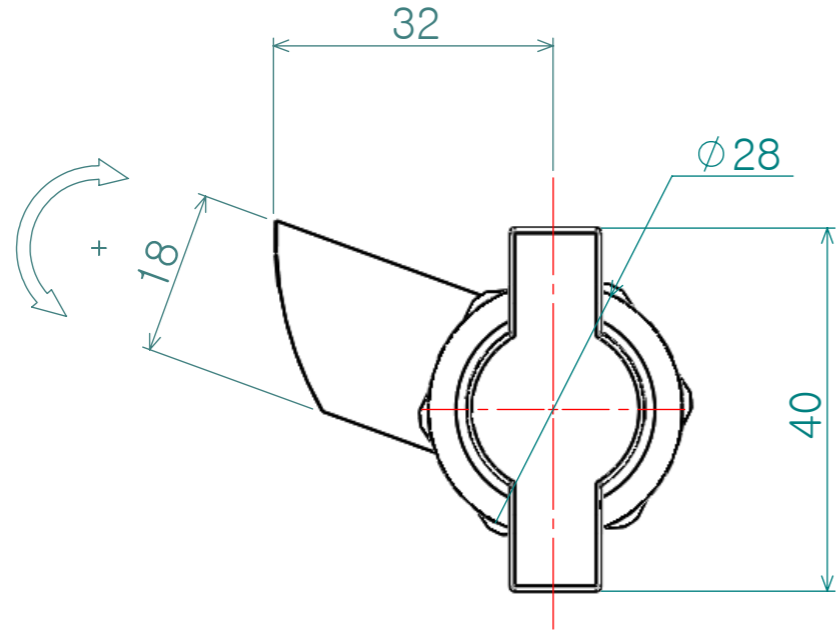
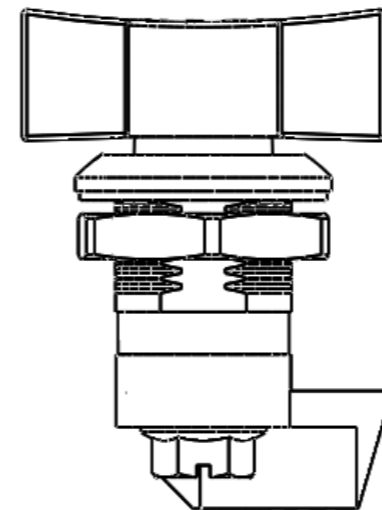
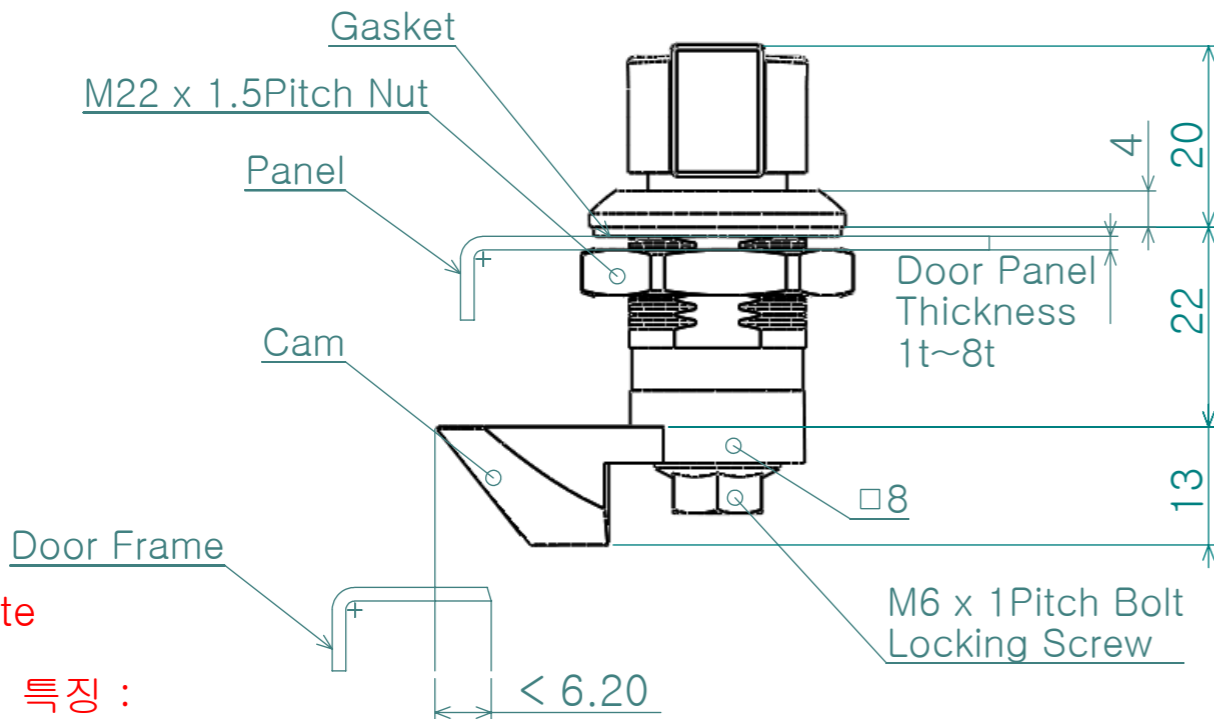
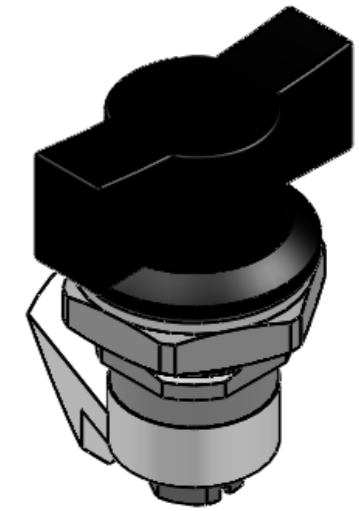


Re. No.	DESCRIPTION	DATE	DS.	CH.	AP.
△					
△					
△					



Cut out



Note

1. 특징 :

2. 용도 :

< 6.20

Dimension (mm)	Precision	Material	Dwg. No.	QTY	
0.5~3	±0.05	아연합금(Zinc)	Part Name.	Weight	
3~6		블랙도장			**
6~30	±0.1	Revision	Sheet Size	Scale	
30~120	±0.15	-	<b>A3</b>	1.2:1	
120~315	±0.2	Date	Designed by	Model No.	
315~1000	±0.3	2011-07-07	Shin S H		<b>CC-A-6035-1011</b>
1000~2000	±0.5	Checked by	Approved by		
KS B 0412에 준함					