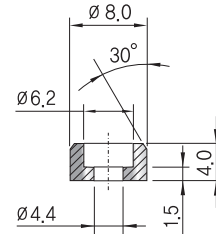
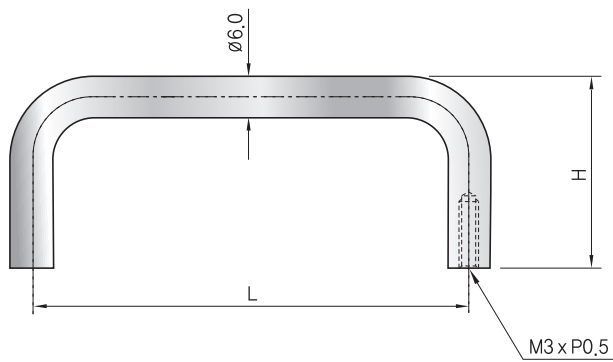


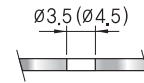


- 높은 강도 유지
- 다양한 길이
- 재 질 : 황동
- 표면처리 : 니켈, 크롬, 무광크롬, 무광니켈도금
- High strength handle
- Various lengths
- Material : BsBM
- Finish : Nickel, Chrome, Nickel / Chrome plated Non-Glossy

## 6.0 Instrument Handle



Cap



조립 Hole  
가공 Size

## Part Numbers

H6-3 F - H - L

<span style="border: 1px solid black; padding: 2px;">F</span> = Finish Code	01 = Nickel	02 = Chrome	03 = Non-Glossy Chrome	06 = Non-Glossy Nickel
<span style="border: 1px solid black; padding: 2px;">H</span> = Height Code	22 = 22mm	25 = 25mm		
<span style="border: 1px solid black; padding: 2px;">L</span> = Length Code	31 = 31.7mm	40 = 40mm	50 = 50mm	60 = 60mm
			89 = 89mm	101 = 101.6mm