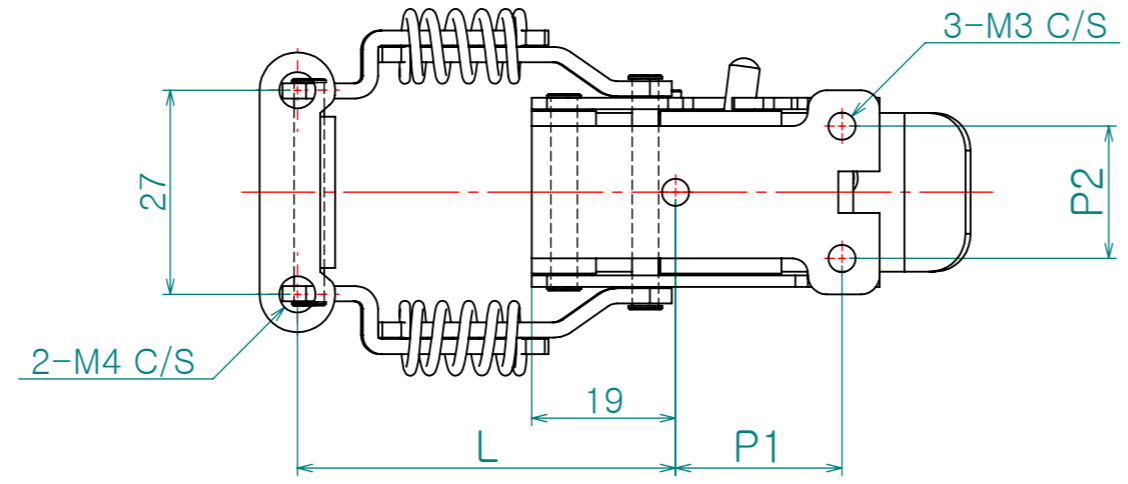
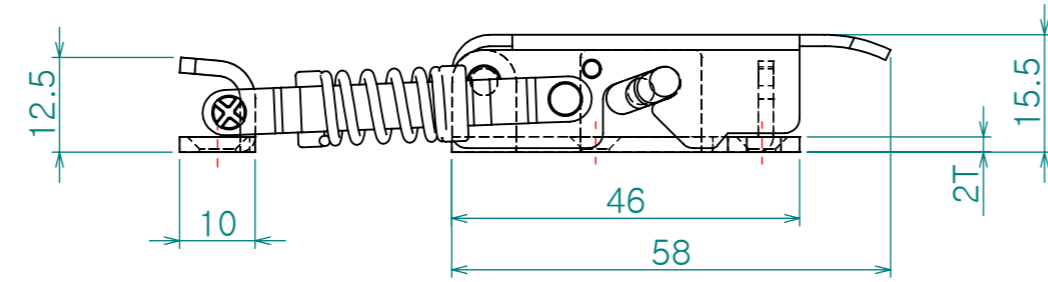
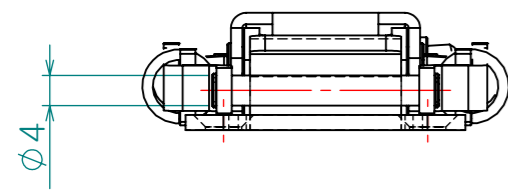
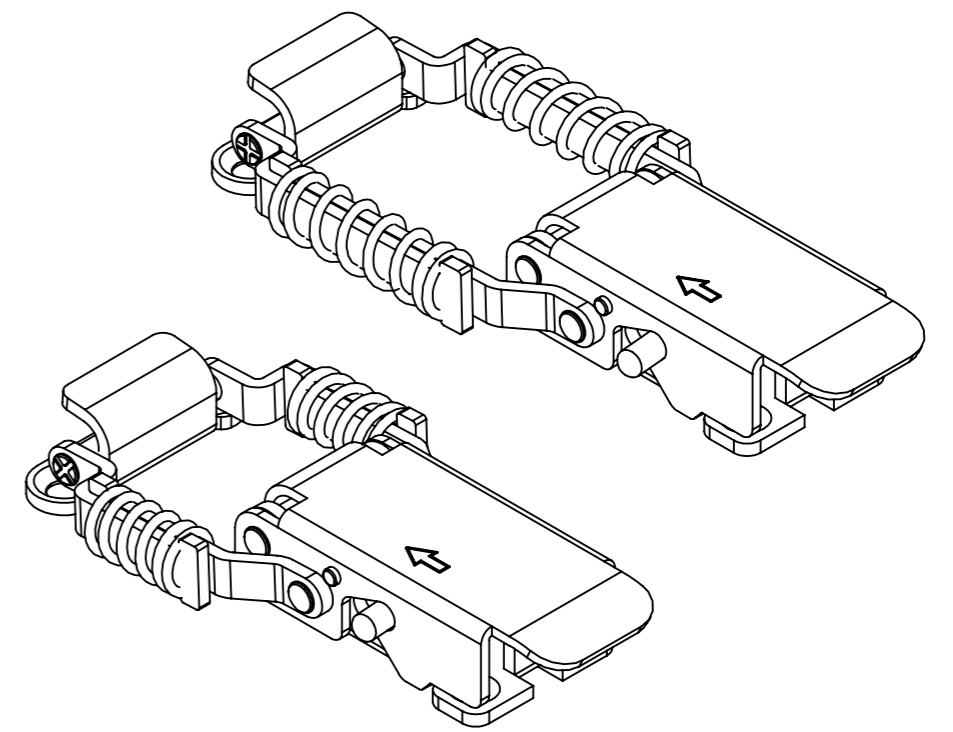
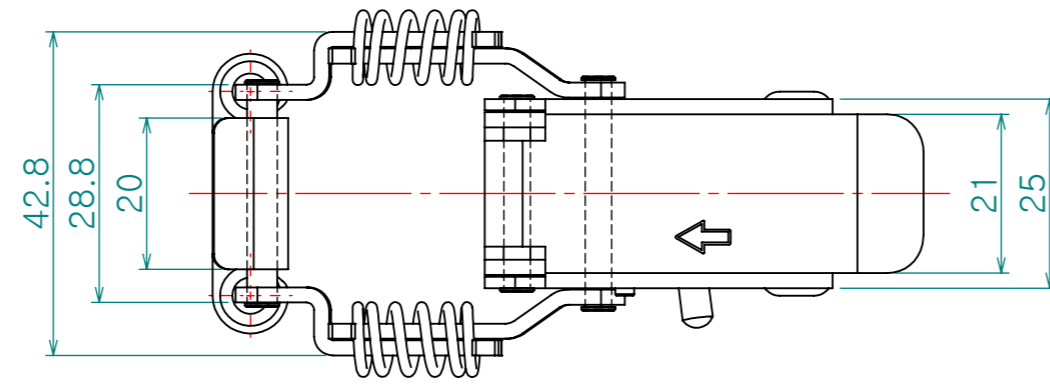


Re. No.	DESCRIPTION	DATE	DS.	CH.	AP.
△					
△					
△					



제품명	L	P1	P2
CC-1051-A	50	22	17.5
CC-1051-B	66		

Note

1. 특징 :

2. 용도 :

Dimension (mm)	Precision	Material	Dwg. No.	QTY
0.5~3	±0.05	STS304	CC-1051	**
3~6		Finish		Part Name.
6~30	±0.1	바렐연마	CC-1051	-
30~120	±0.15	Revision	Sheet Size	Scale
120~315	±0.2	-	A3	**
315~1000	±0.3	Date	Designed by	Model No.
1000~2000	±0.5	2012-08-28	Shin S H	**
KS B 0412에 준함		Checked by	Approved by	
			Hardware	