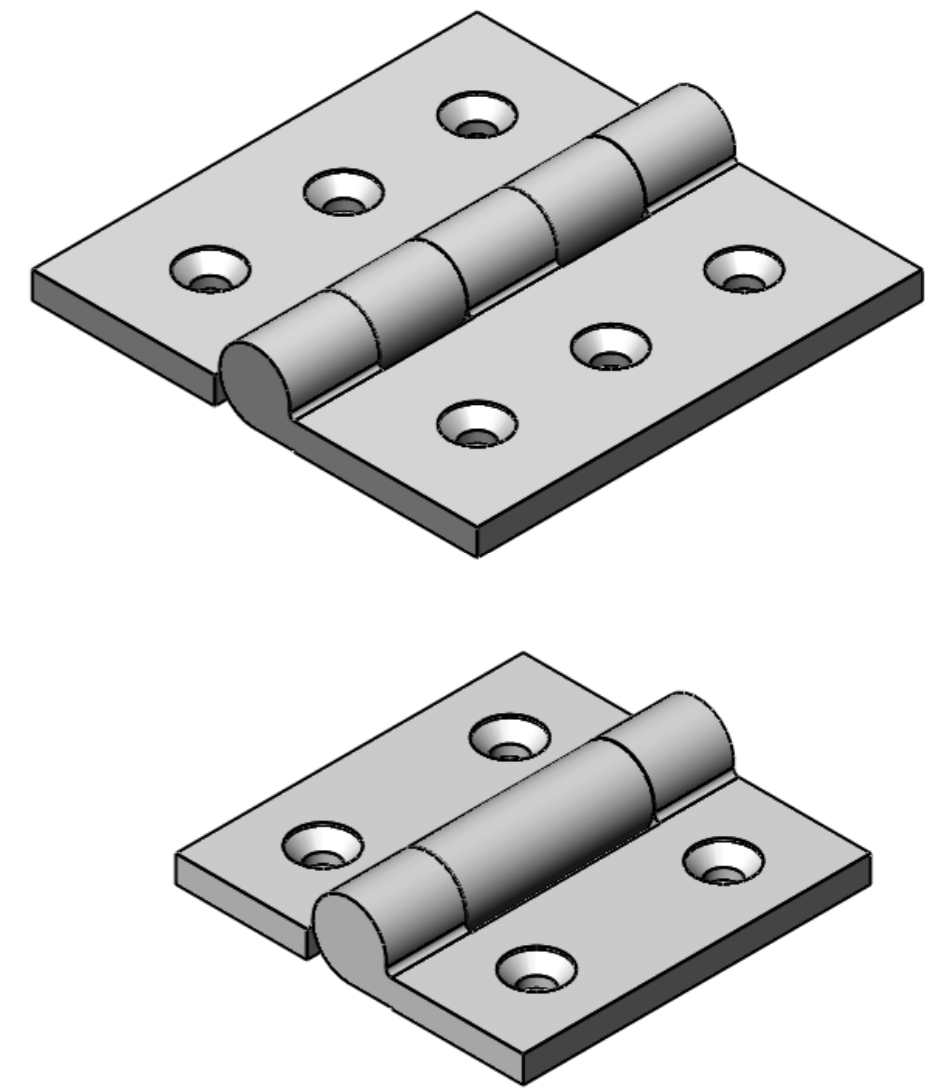
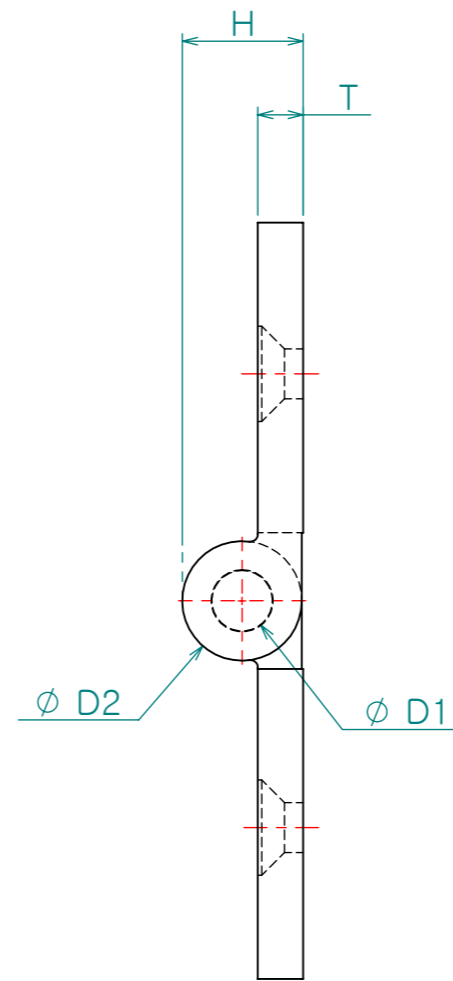
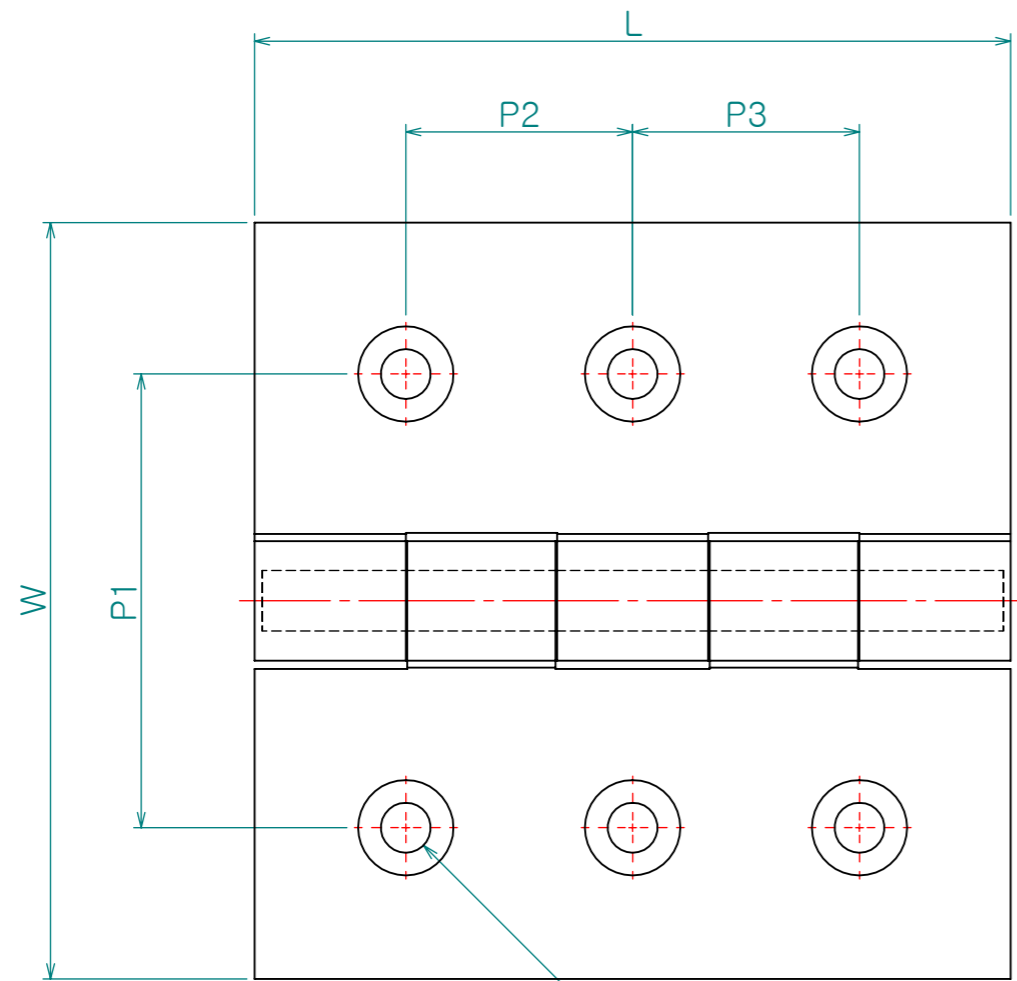
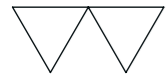


Re. No.	DESCRIPTION	DATE	DS.	CH.	AP.
△					
△					
△					



N-M COUNTERSINK

제품명	L	W	P1	P2	P3	T	H	D1	D2	N-M
CH-005-1	50	50	35	20	-	5	14	6	14	4-4
CH-005-2	65	65	40	35	-	5	14	6	14	4-5
CH-005-3	75	75	50	40	-	6	16	8	16	4-6
CH-005-4	100	100	60	30	30	6	16	8	16	6-6
CH-005-5	125	100	60	37.5	37.5	6	16	8	16	6-6

Note

1. 특징 :

2. 용도 :

Dimension (mm)	Precision	Material	Dwg. No.	QTY
0.5~3	±0.05	STS304	Part Name.	**
3~6		광택연마		**
6~30	±0.1	Revision	Sheet Size	Weight
30~120	±0.15	-	A3	-
120~315	±0.2	Date	Ass'y Name	Scale
315~1000	±0.3	2013-02-27	**	1:1
1000~2000	±0.5	Designed by	Model No.	
KS B 0412에 준함		Shin S H	CH-005	
		Checked by		
		Approved by		