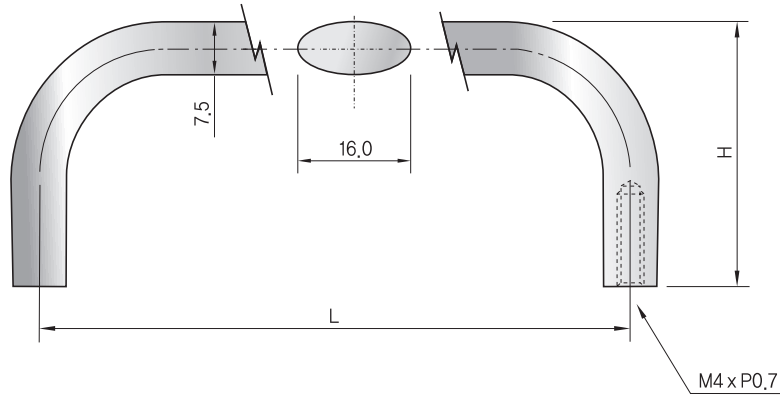


Oval Internal Thread Handles



- 가벼운 무게로 높은 강도 유지
- 다양한 길이
- 재 질: 알루미늄
- 표면처리: 무광크롬도금, 백색 및 흑색 아노다이징
- High strength, Light weight handle
- Various lengths
- Material : Aluminum
- Finish : Chrome plated Non-Glossy, Anodized Clear or Black

7.5 x 16.0 Oval Handle



Part Numbers

HO-4 F - H - L

| | | | |
|------------------------|------------------------|----------------------|----------------------------|
| F = Finish Code | 03 = Non-Glossy Chrome | 11 = Silver Anodized | 13 = Black Anodized |
| H = Height Code | 32 = 32mm | | |
| L = Length Code | 60 = 60mm | 80 = 80mm | 100 = 100mm 120 = 120mm |