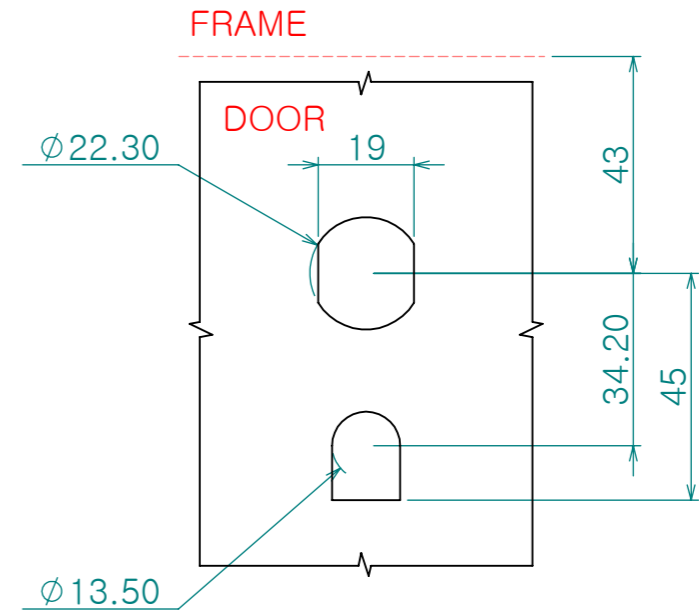
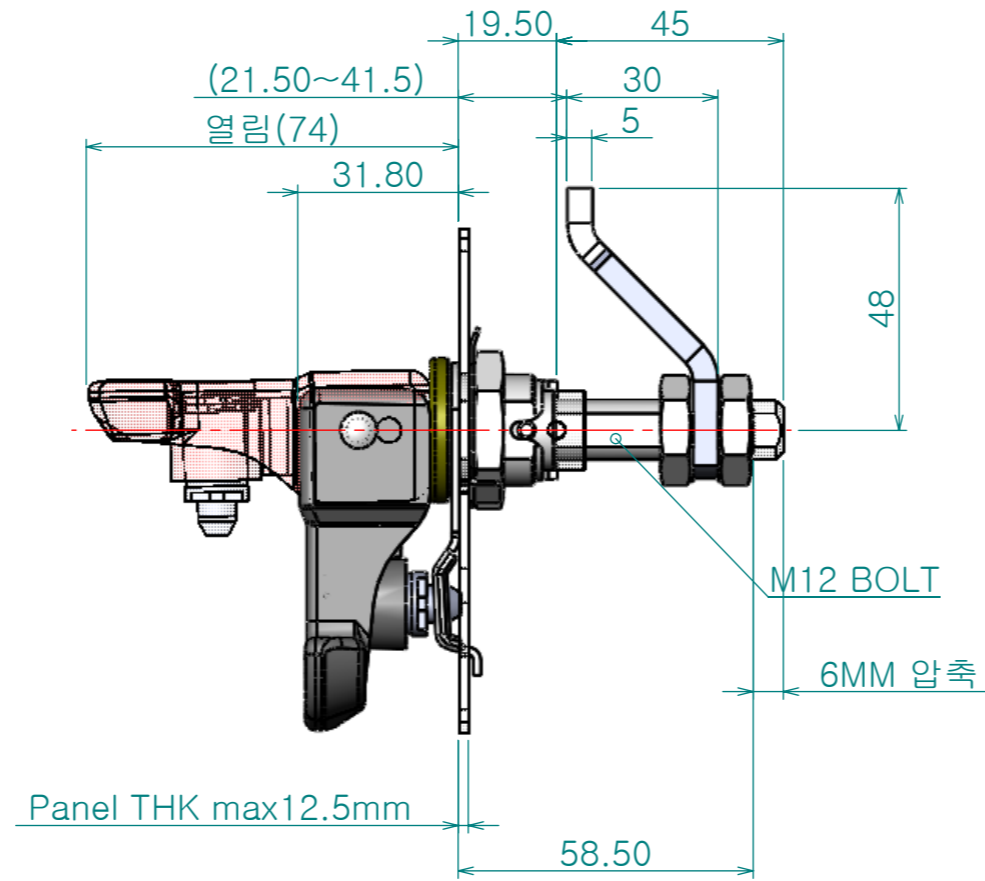
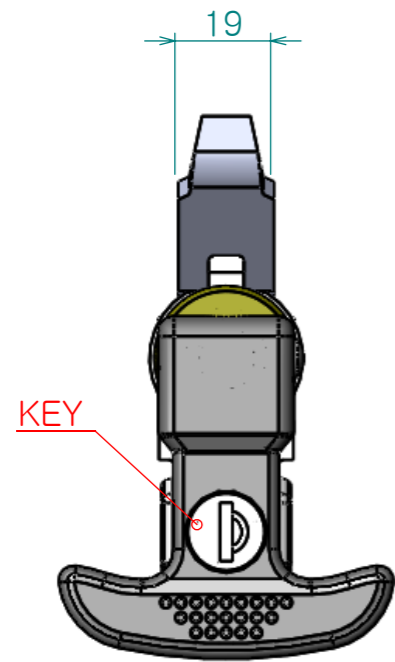
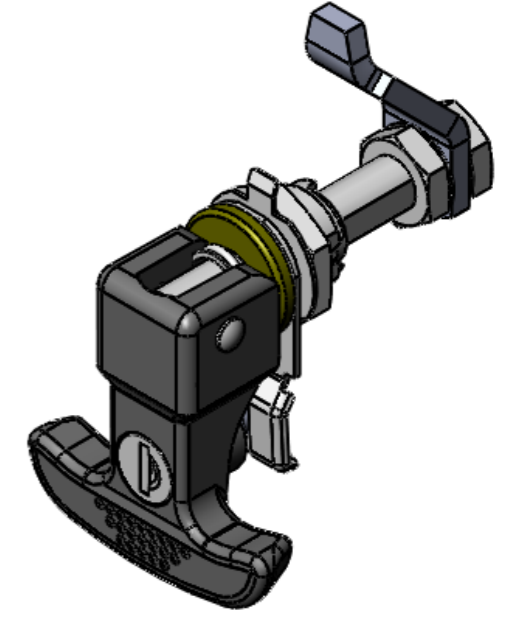


Re. No.	DESCRIPTION	DATE	DS.	CH.	AP.
△					
△					
△					



Note

- 1. 특징 :
- 2. 용도 :

Dimension (mm)	Precision	Material 아연합금	Dwg. No.	QTY **
0.5~3 3~6	±0.05	Finish 흑색도장	Part Name. CC-1047A	Weight -
6~30 30~120 120~315	±0.1 ±0.15 ±0.2	Revision -	Sheet Size A3	Scale 1:1.5
315~1000 1000~2000	±0.3 ±0.5	Date 2011-10-11	Designed by Shin S H	Model No. **
KS B 0412에 준함		Checked by	Approved by	