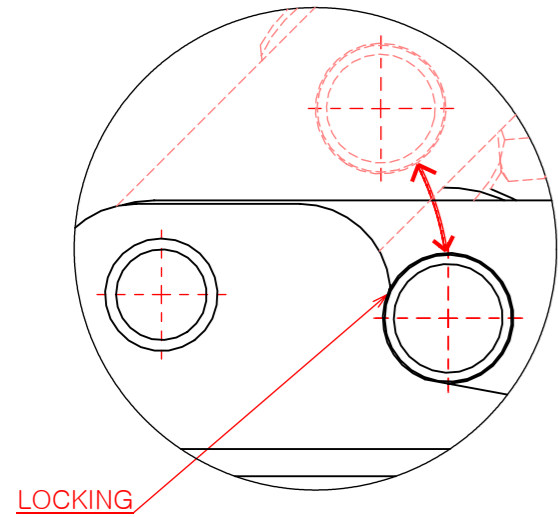
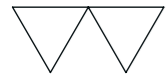
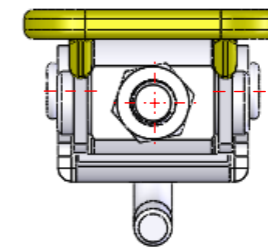
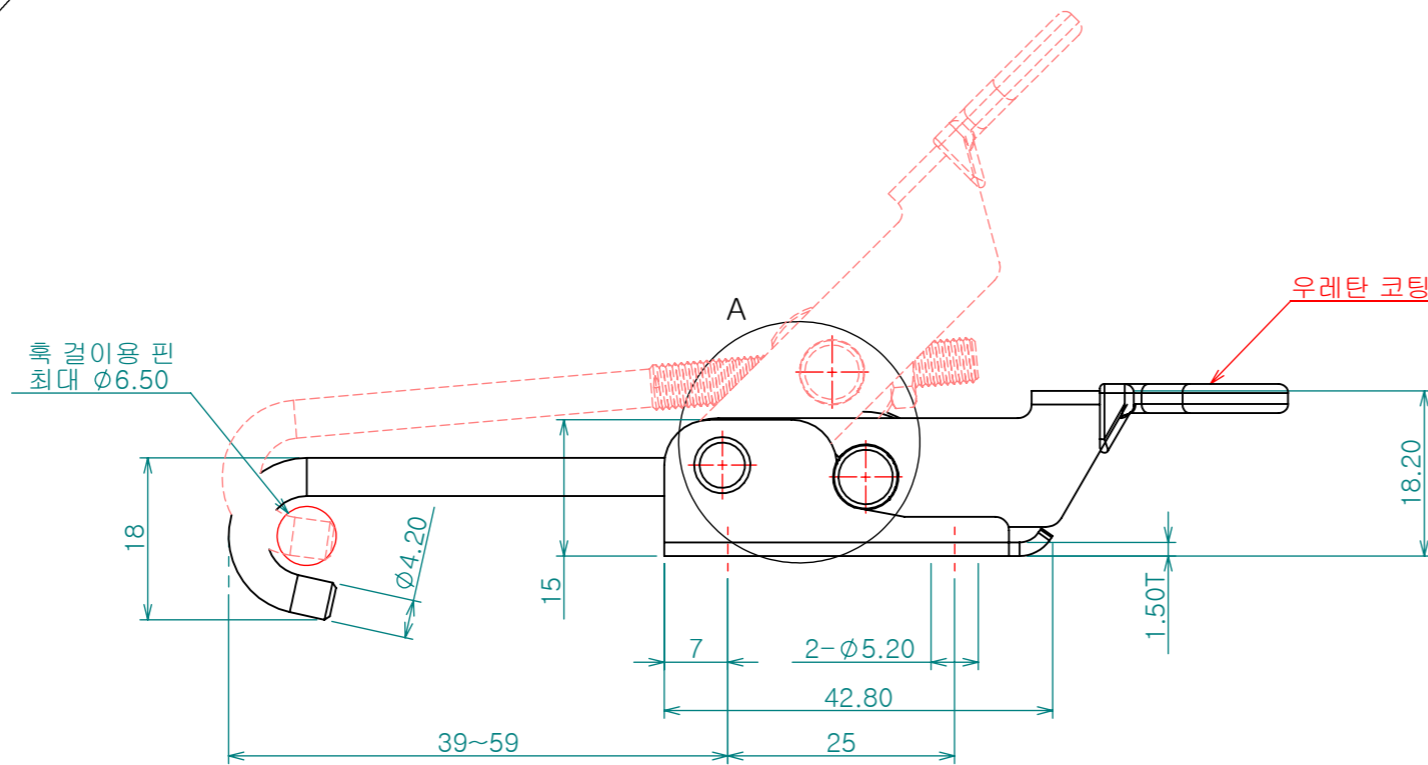
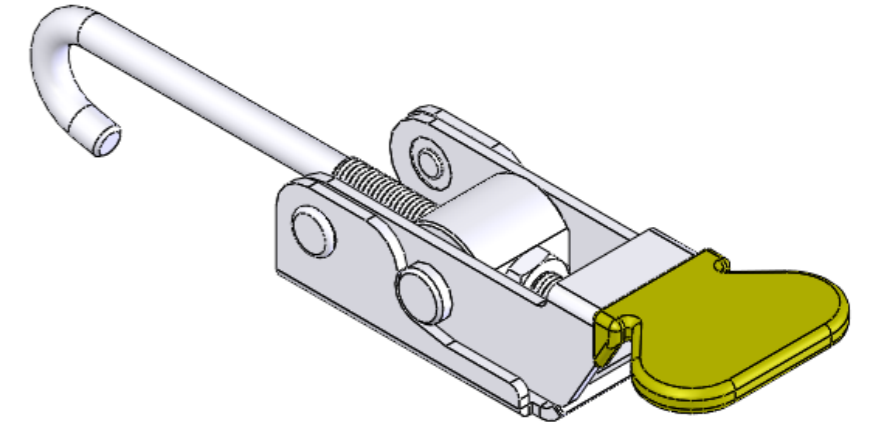
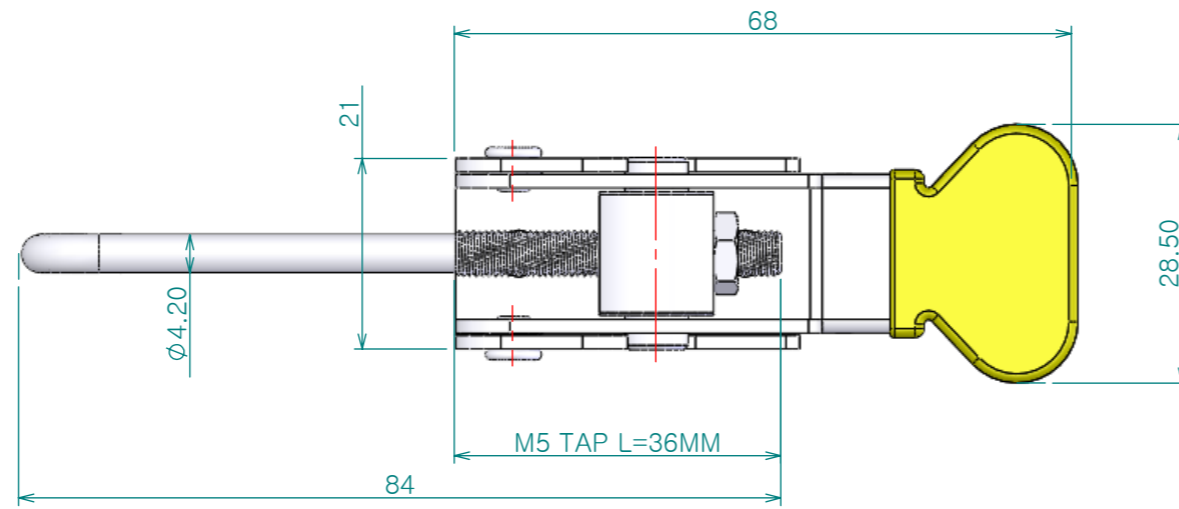


Dwg. No.

Re. No.	DESCRIPTION	DATE	DS.	CH.	AP.
△					
△					
△					



상세 A



Note

- 특징 :
- 용도 :

Dimension (mm)	Precision	Material	Dwg. No.	QTY
0.5~3	±0.05	STS304	Part Name.	Weight
3~6		바렐연마		
6~30	±0.1	Revision	Sheet Size	Scale
30~120	±0.15	-	A3	1.2:1
120~315	±0.2	Date	Designed by	Model No.
315~1000	±0.3	2011-11-18	Shin S H	
1000~2000	±0.5	Checked by	Approved by	Hardware
KS B 0412에 준함				