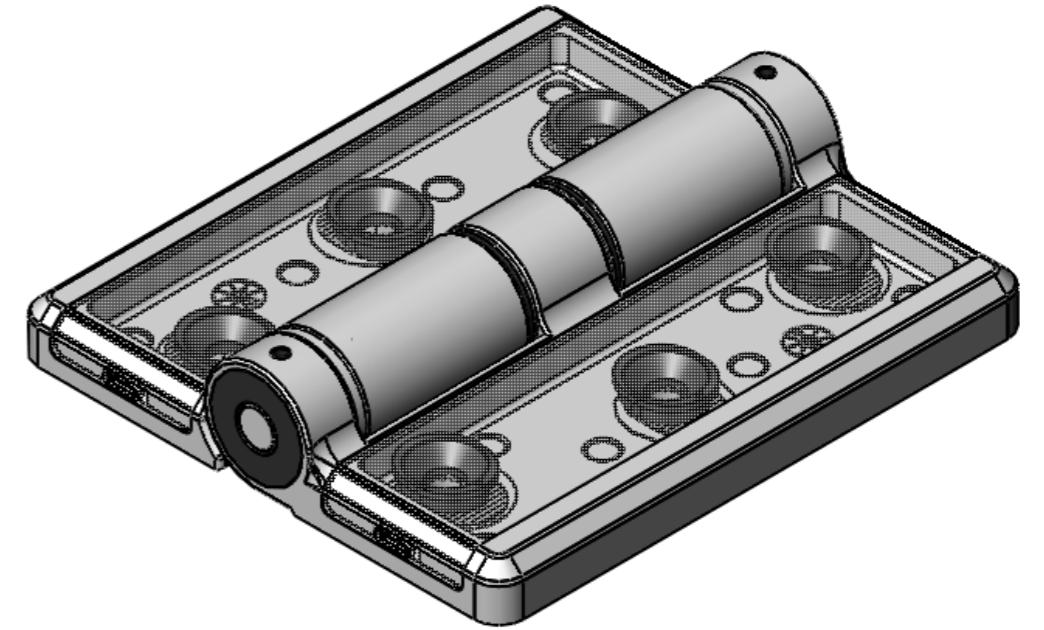
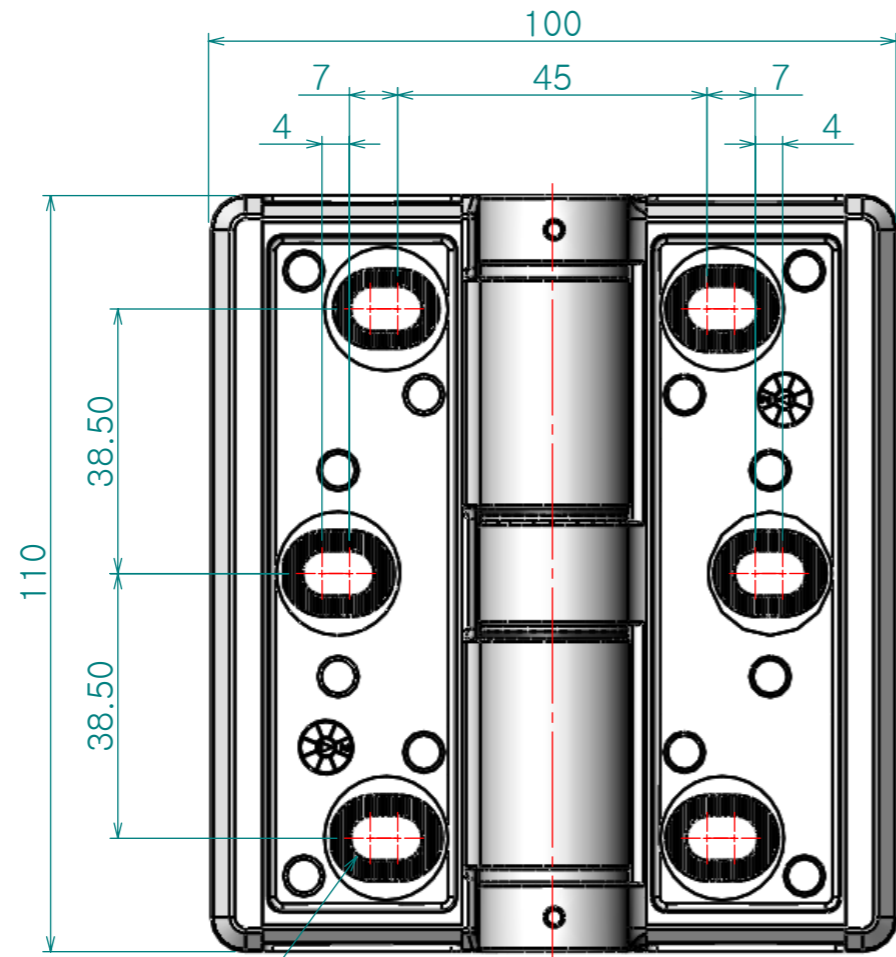
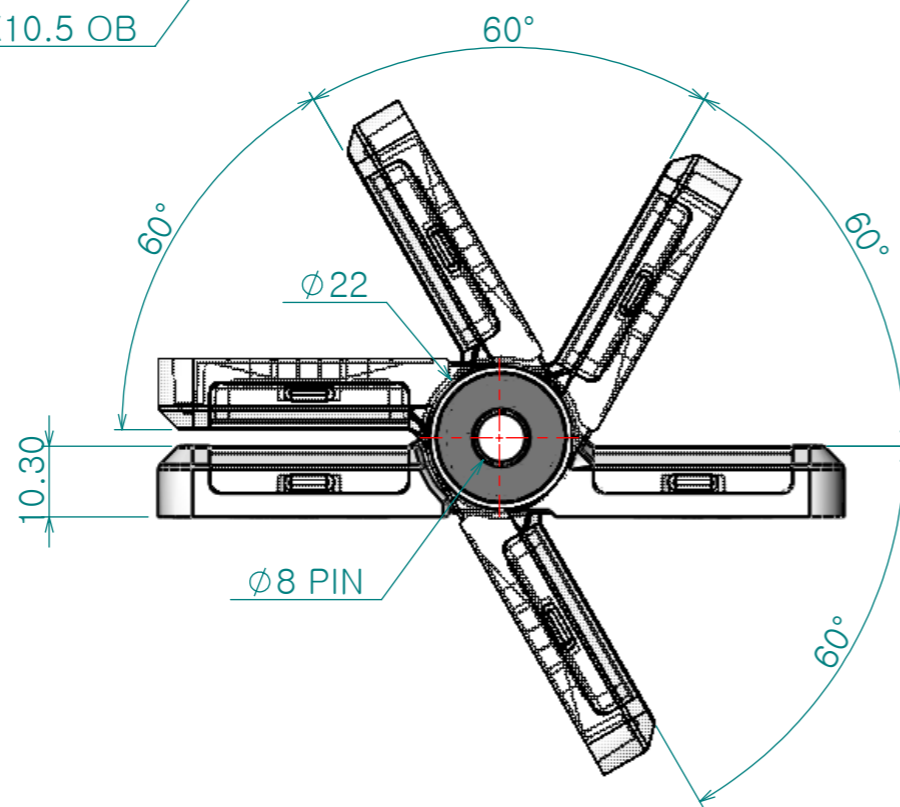


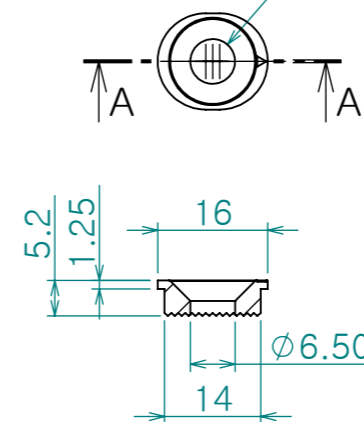
Re. No.	DESCRIPTION	DATE	DS.	CH.	AP.
△					
△					
△					



6- ϕ 6.50X10.5 OB



M5 COUNTER SINK



단면 A-A

※ Adjusting Bushing
TYPE=6EA

Note

1. 특징 :

2. 용도 :

제품명	조절 각도
CH-DH110100	60°, 120°, 180°, -60°
CH-DH110100-1	무 각

Dimension (mm)	Precision	Material	Dwg. No.	QTY
0.5~3		ZDCII		**
3~6	±0.05	Finish	Part Name.	Weight
6~30	±0.1	**	CH-DH110100	-
30~120	±0.15	Revision	Ass'y Name	Scale
120~315	±0.2	-	**	1:1.1
315~1000	±0.3	Date	Model No.	
1000~2000	±0.5	2012-01-13	**	
		Checked by	Designed by	
			Shin S H	
		Approved by		
KS B 0412에 준함		Sheet Size		
		A3		
		Hardware		