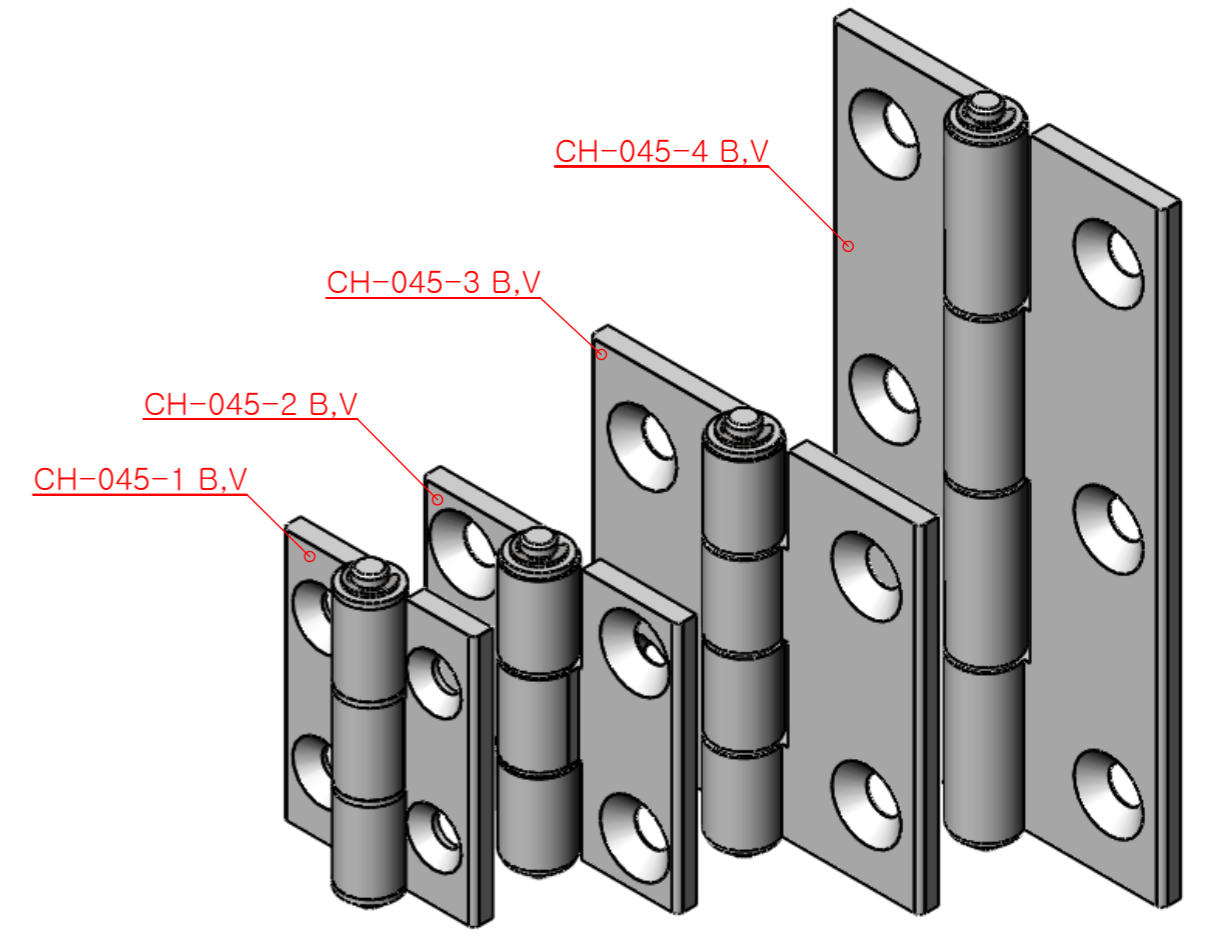
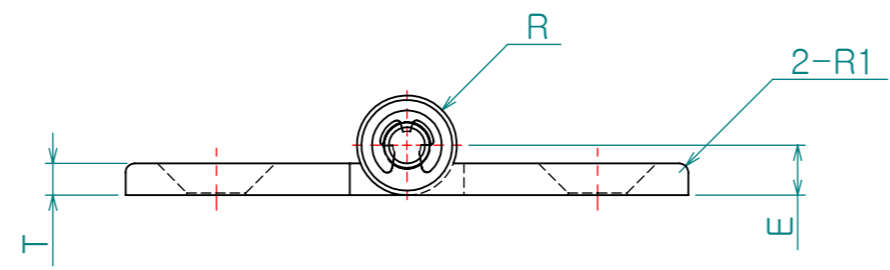
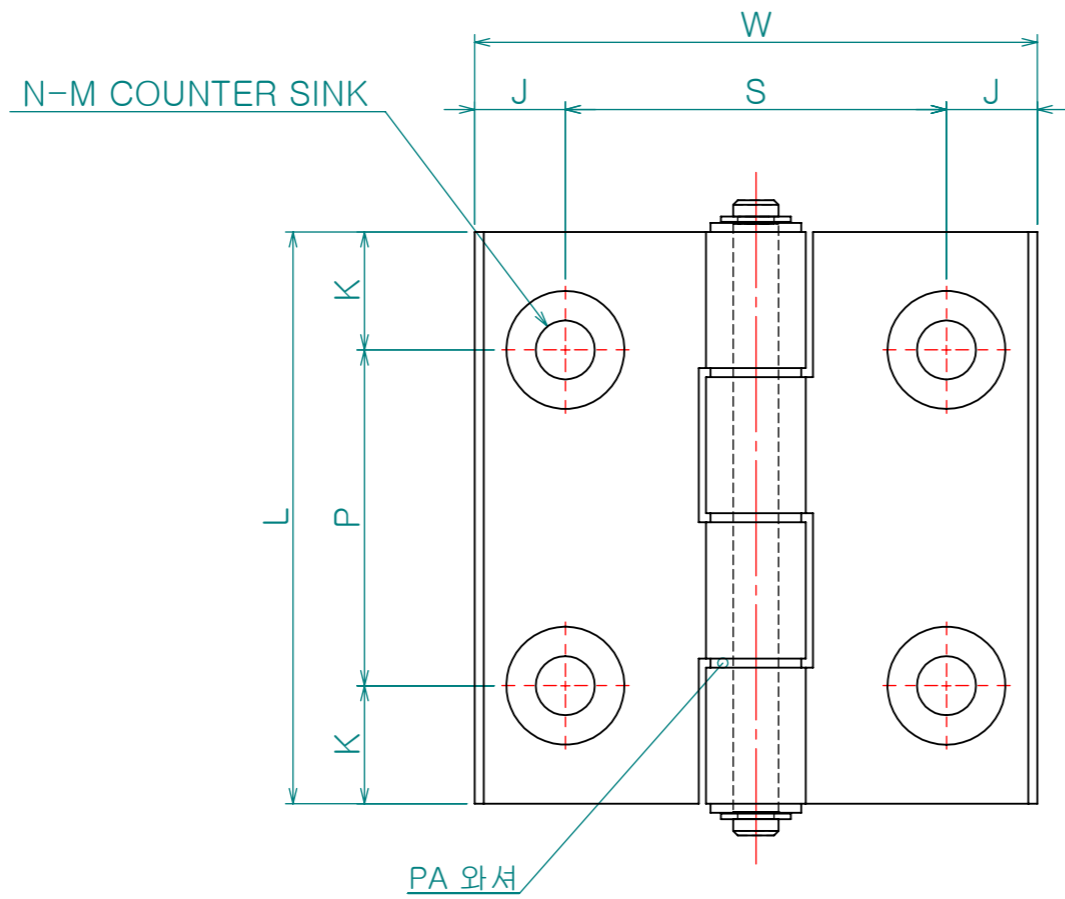
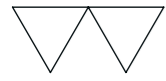


| Re. No. | DESCRIPTION | DATE | DS. | CH. | AP. |
|---------|-------------|------|-----|-----|-----|
| △ | | | | | |
| △ | | | | | |
| △ | | | | | |



| 제품명 | L | W | P | K | S | J | N-M | T | E | R |
|---------------|-----|----|----|------|----|-----|------|-----|-----|-----|
| CH- 045-1 B,V | 47 | 36 | 25 | 11 | 21 | 7.5 | 4-M5 | 3.5 | 5 | 5 |
| CH- 045-2 B,V | 47 | 48 | 30 | 8.5 | 32 | 8 | 4-M6 | 3.5 | 5.5 | 5.5 |
| CH- 045-3 B,V | 63 | 62 | 37 | 13 | 42 | 10 | 4-M6 | 3.5 | 5.5 | 5.5 |
| CH- 045-4 B,V | 113 | 62 | 43 | 13.5 | 42 | 10 | 6-M6 | 3.5 | 5.5 | 5.5 |

Note

- 1. 특징 :
- 2. 용도 :

※ 표면처리
 B : 흑색아노다이징
 V : 실버아노다이징

| | | | | |
|----------------|-----------|-------------|------------|--------|
| Dimension (mm) | Precision | Material | Dwg. No. | QTY |
| 0.5~3 | | A6063S | | ** |
| 3~6 | ±0.05 | Finish | Part Name. | Weight |
| 6~30 | ±0.1 | 알루미늄처리 | ** | - |
| 30~120 | ±0.15 | Revision | Ass'y Name | Scale |
| 120~315 | ±0.2 | - | ** | 1.2:1 |
| 315~1000 | ±0.3 | Date | Model No. | |
| 1000~2000 | ±0.5 | 2011-11-23 | CH- 045 | |
| KS B 0412에 준함 | | Designed by | | |
| | | Shin S H | | |
| | | Checked by | | |
| | | Approved by | | |