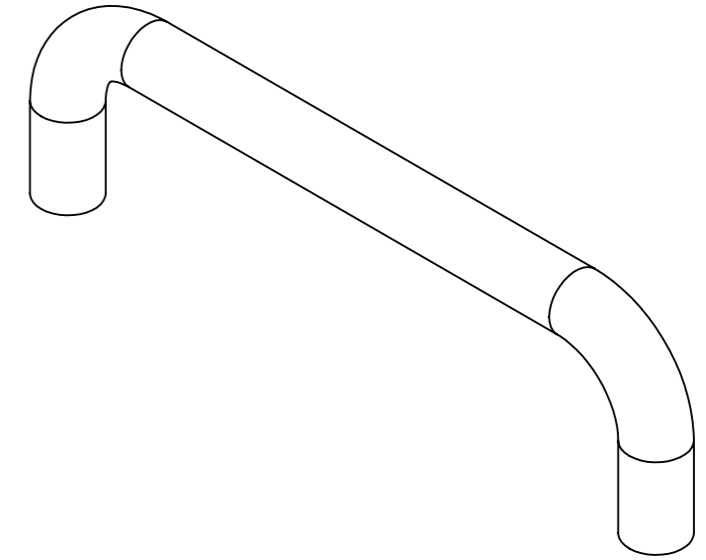
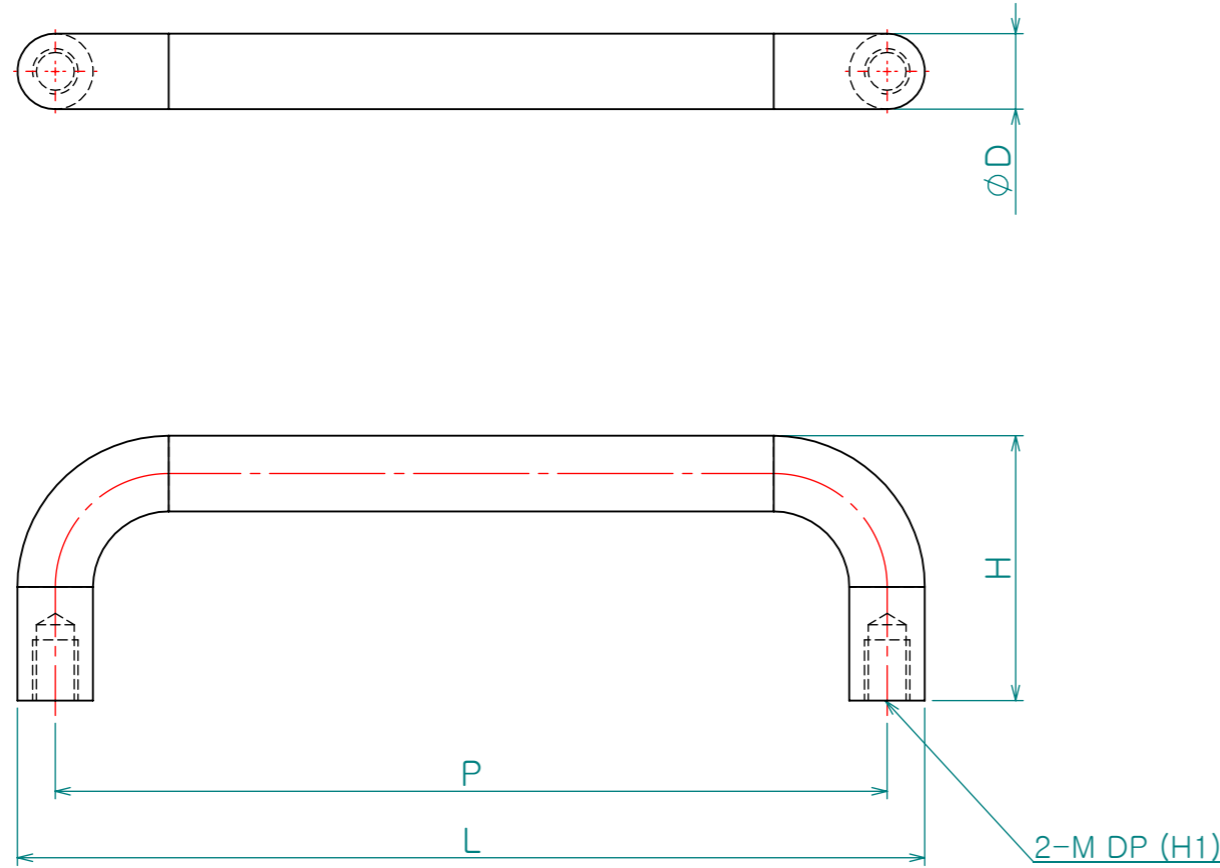


Dwg. No.



Re. No.	DESCRIPTION	DATE	DS.	CH.	AP.
△					
△					
△					



제품명	L	P	H	H1	D	M
CA-1052-6-46	46	40	22	7	6	M4
CA-1052-6-66	66	60				
CA-1052-7-75	75	68	30	8	7	M5
CA-1052-9-109-30H	109	100				
CA-1052-9-109-50H						
CA-1052-10-120	120	110	40	10	10	M6
CA-1052-10-130	130	120				
CA-1052-12-162	162	150	50	10	12	M8
CA-1052-12-200	200	188				
CA-1052-12-250	250	238				
CA-1052-12-300	300	288				

Dimension (mm)	Precision	Material	Dwg. No.	QTY	
0.5~3	±0.05	STS304		*EA	
3~6		Finish	Part Name.	Weight	
6~30	±0.1	광택연마	**	-	
30~120	±0.15	Revision	Sheet Size	Scale	
120~315	±0.2	-	A3	1:1	
315~1000	±0.3	Date	Designed by	Model No.	
1000~2000	±0.5	2015-09-20	Shin S H		CA-1052
KS B 0412에 준함		Checked by	Approved by		