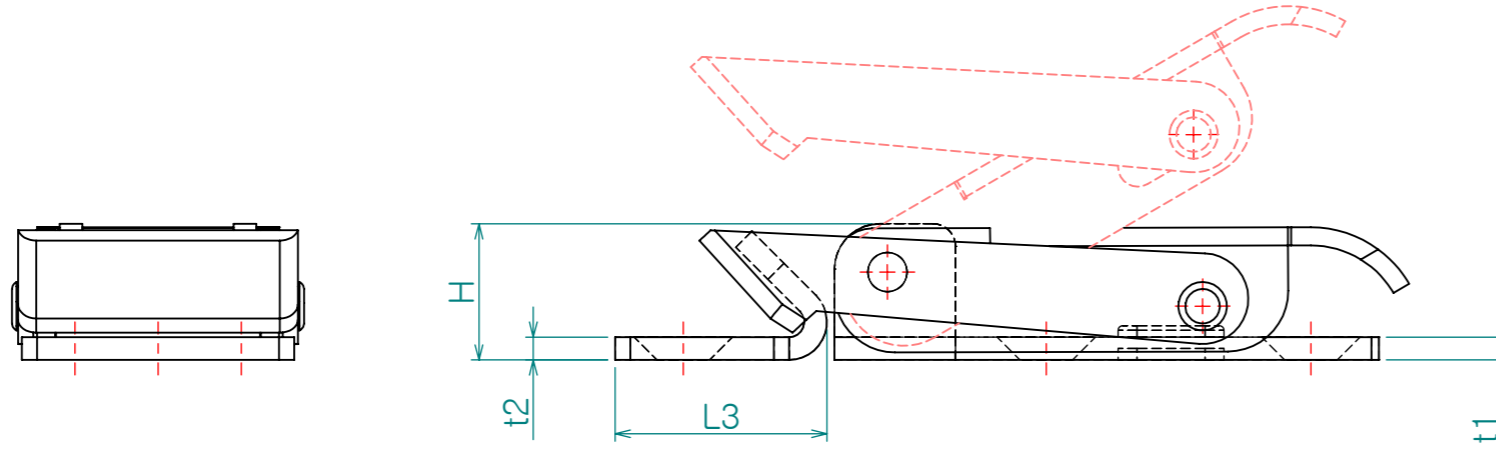
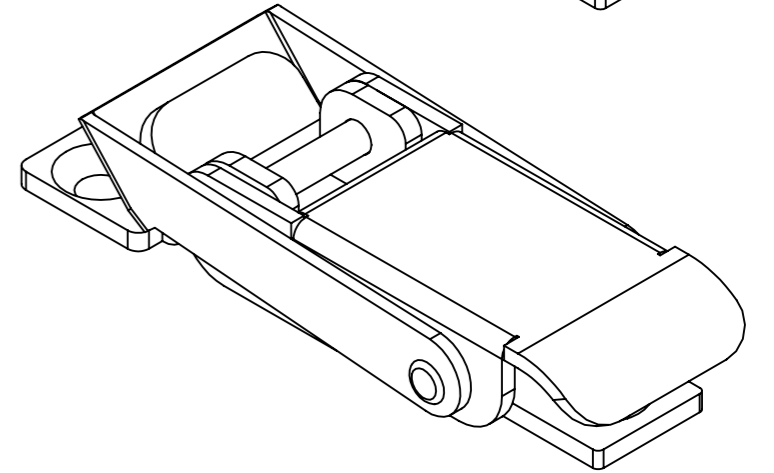
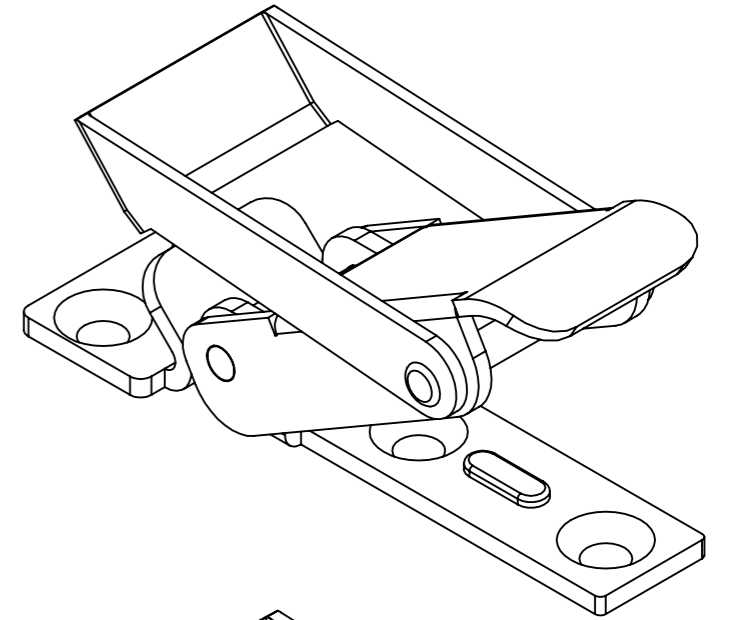
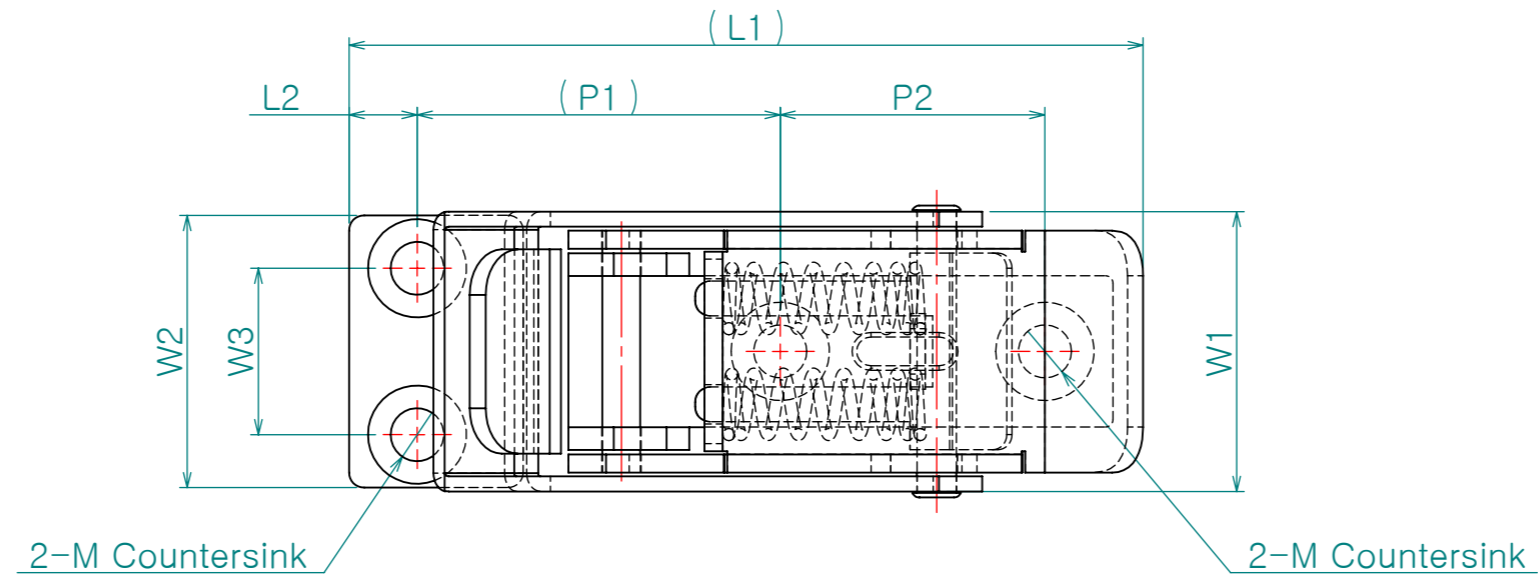


Re. No.	DESCRIPTION	DATE	DS.	CH.	AP.
△					
△					
△					



제품명	(L1)	L2	L3	W1	W2	W3	H	t1	t2	(P1)	P2	M
CC-1068-1	34	3.5	9.5	13	13.5	8	6	1	1	15	11.5	M2.5
CC-1068-2	52	4.5	14	18.5	18	11	9	1.5	1.5	24	17.5	M3
CC-1068-3	70	6	18	23	23	13	11	2	2	30	24	M4

Note

- 1. 특징 :
- 2. 용도 :

Dimension (mm)	Precision	Material	Dwg. No.	QTY	
0.5~3	±0.05	ST304	Part Name.	**	
3~6		Finish		Weight	
6~30	±0.1	바렐연마	**	-	
30~120	±0.15	Revision	Sheet Size	Scale	
120~315	±0.2	-	A3	2:1	
315~1000	±0.3	Date	Designed by	Model No.	
1000~2000	±0.5	2015-06-10	Shin S H		CC-1068
KS B 0412에 준함		Checked by	Approved by	Hardware	