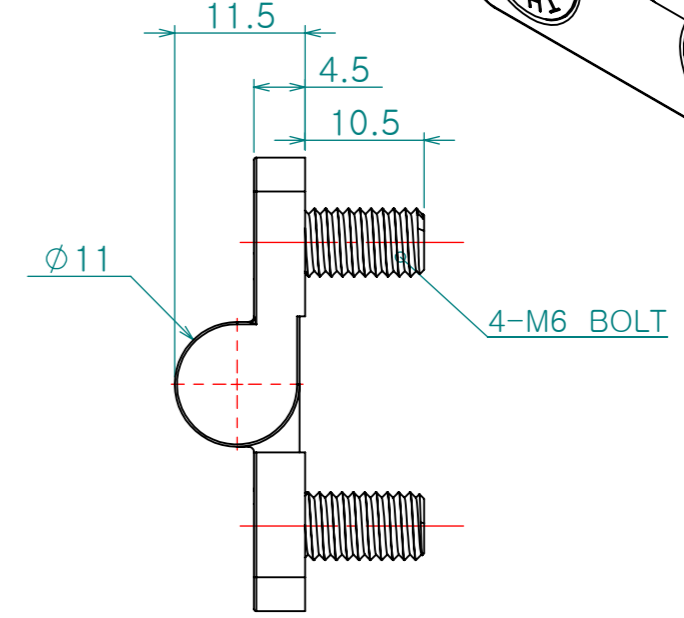
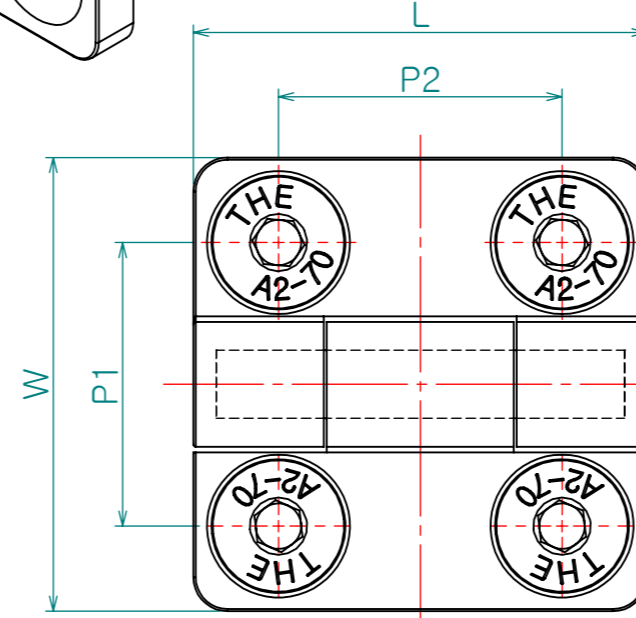
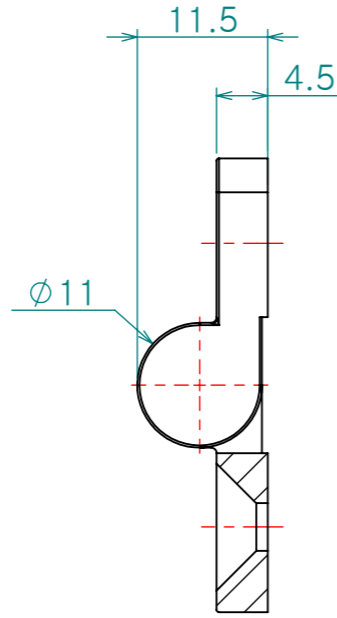
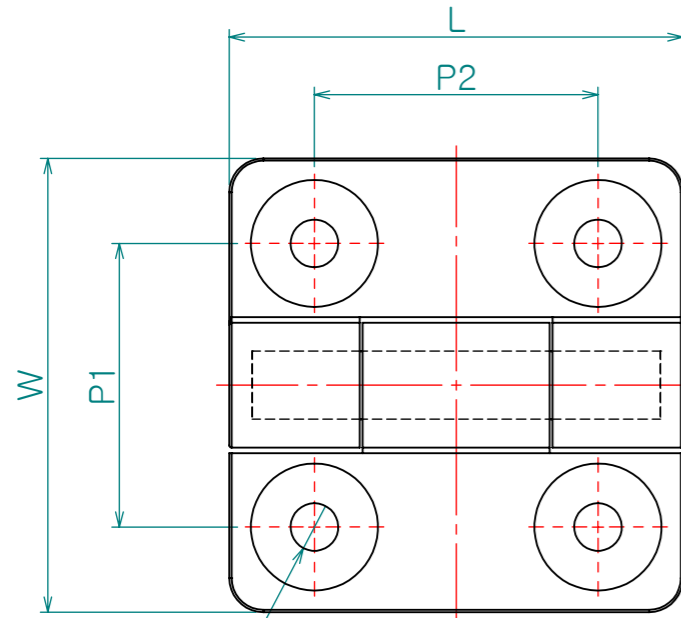
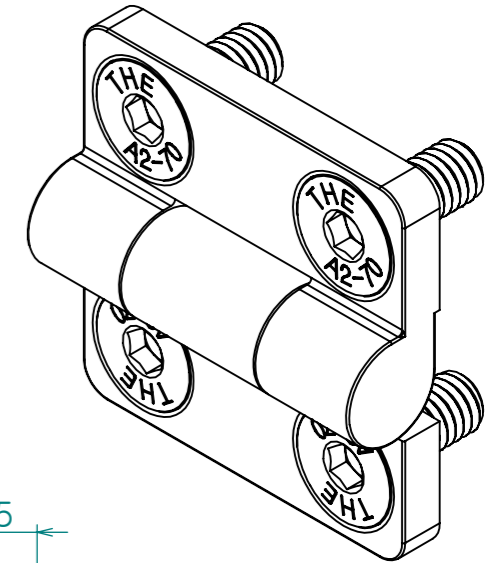
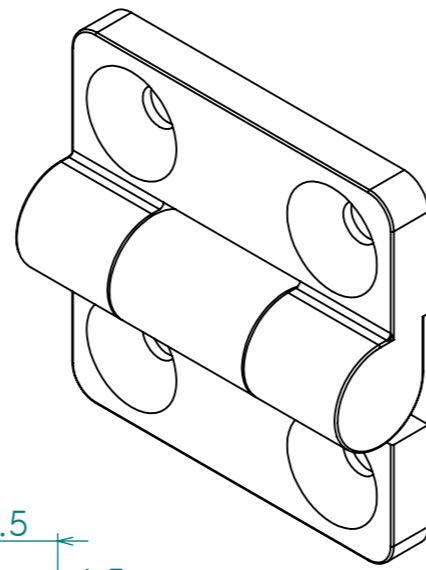
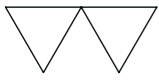


Re. No.	DESCRIPTION	DATE	DS.	CH.	AP.
△					
△					
△					



4 x Ø 4.2 관통
✓ Ø 11.2 X 90°

COUNTER SINK TYPE

BOLT TYPE

제품명	W	L	P1	P2	TYPE
CH-056-1A	40	40	25	25	COUNTER SINK
CH- 056-1B					BOLT
CH-056-2A	40	50	26	32	COUNTER SINK
CH- 056-2B					BOLT

Note

1. 특징 :

2. 용도 :

Dimension (mm)	Precision	Material	Dwg. No.	QTY
0.5~3	±0.05	STS316	Part Name.	**
3~6		Finish		**
6~30	±0.1	광택연마	Ass'y Name	-
30~120	±0.15	Revision	**	Scale
120~315	±0.2	-	Sheet Size	1.5:1
315~1000	±0.3	Date	A3	Model No.
	±0.5	2015-07-06	Designed by	
1000~2000		Checked by	Approved by	Hardware
KS B 0412에 준함				