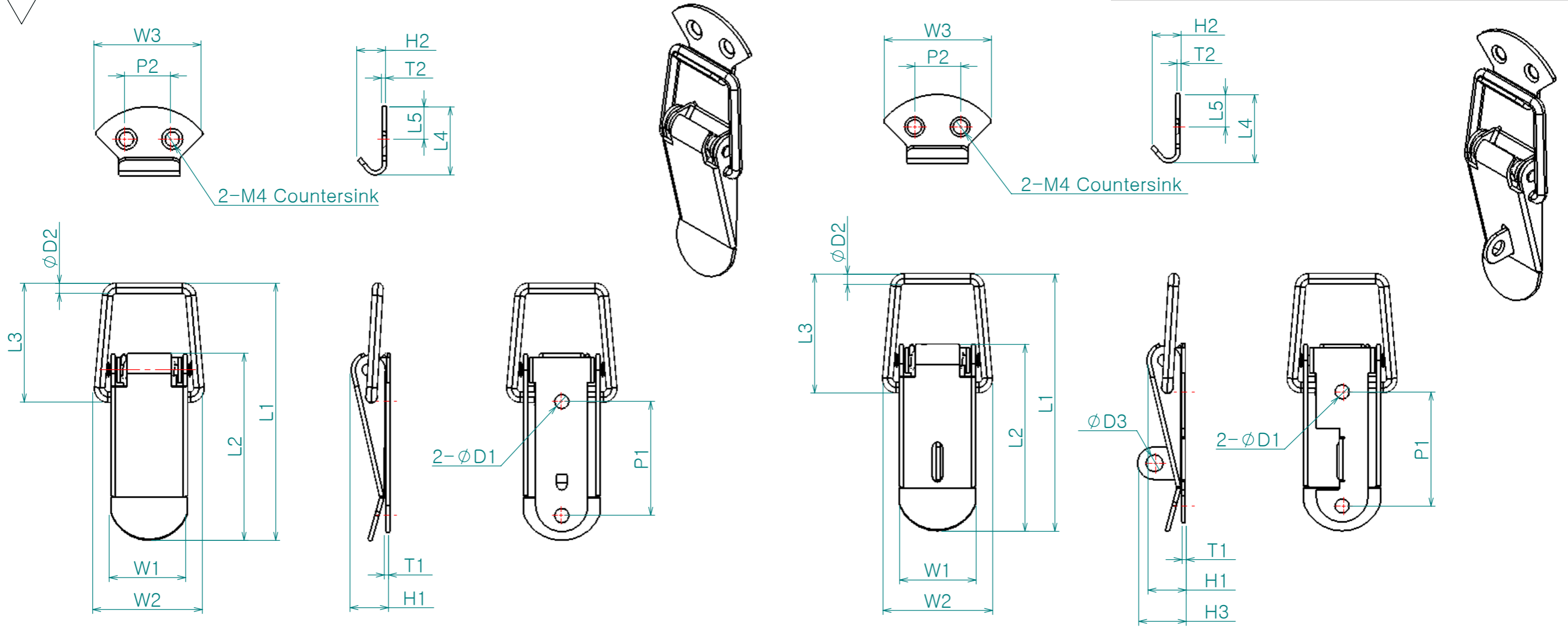


Dwg. No.

Re. No.	DESCRIPTION	DATE	DS.	CH.	AP.
△					
△					
△					



제품명	L1	L2	L3	L4	L5	W1	W2	W3	H1	H2	H3	P1	P2	T1	T2	D1	D2	D3	TYPE
CC-DL009	57	44	24	20	6	16	23	28	9	7	-	25	13.5	1	1	4.1	2.5	-	
CC-DL010											11							4.6	열쇠고리형
CC-DL011	76	55	35	20	9.5	22.5	32	31.5	11	8.5	-	33.5	13.5	1.2	1.2	4.2	3	-	
CC-DL012											14							5	열쇠고리형
CC-DL013	90	65.5	42	27.5	7	23.5	35	39	14	10	-	41	17	1.2	1.2	5	4	-	
CC-DL014											15							5.5	열쇠고리형
CC-DL015	105	76	47	31.5	9	26	39	39.5	17	11	-	47	20.5	1.5	2	5	4.5	-	
CC-DL016											22							8	열쇠고리형

Dimension (mm)	Precision	Material	Dwg. No.	QTY
0.5~3		STS304		**
3~6	±0.05	Finish	Part Name.	Weight
6~30	±0.1	바렐연마	**	-
30~120	±0.15	Revision	Ass'y Name	Scale
120~315	±0.2	-	**	1:1.2
315~1000	±0.3	Date	Model No.	
1000~2000	±0.5	2016-04-07	CC-DL	
KS B 0412에 준함		Designed by		
		Shin S H		
		Checked by		
		Approved by		