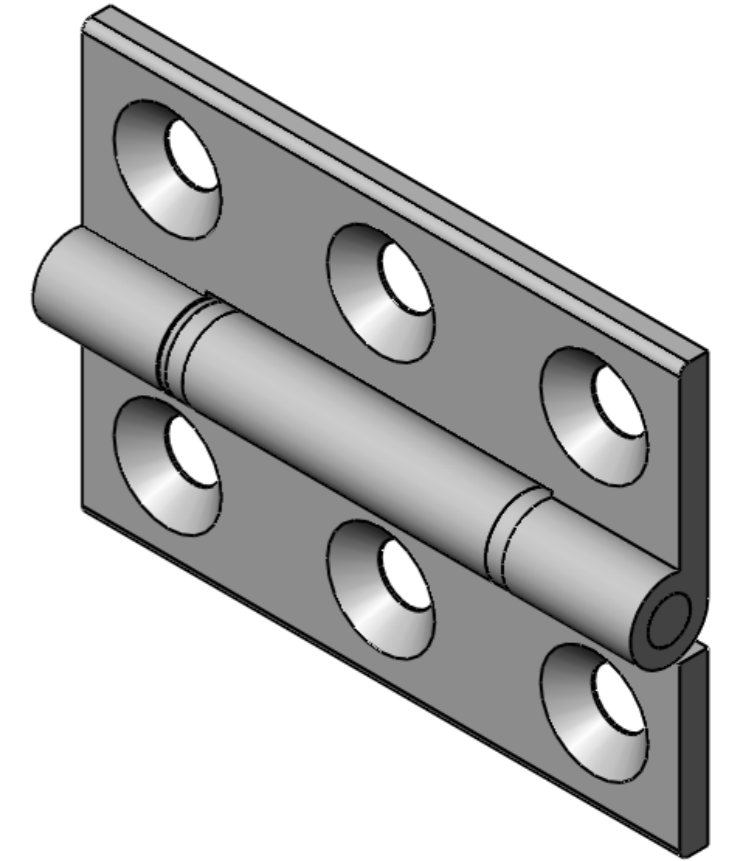
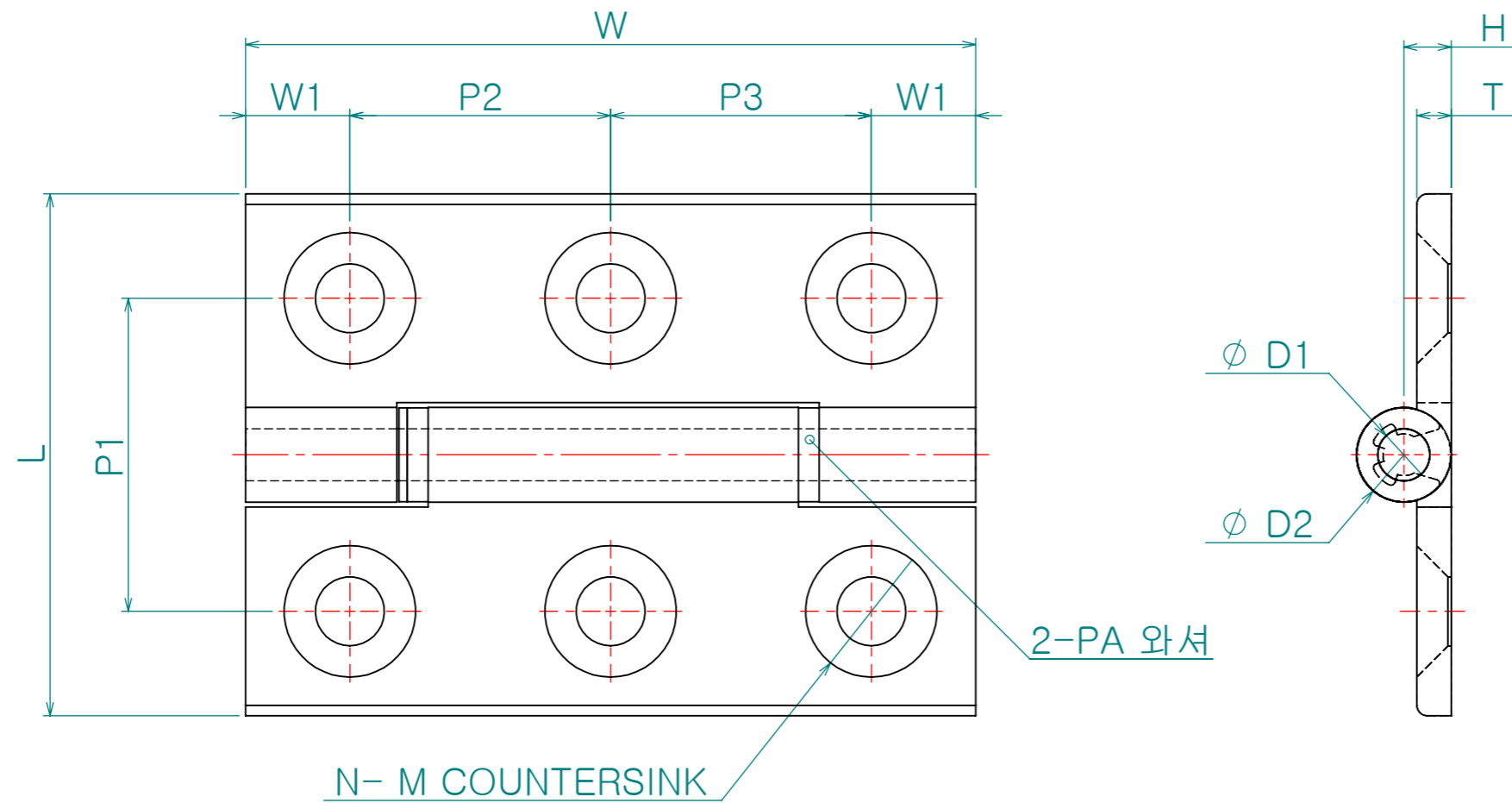


Re. No.	DESCRIPTION	DATE	DS.	CH.	AP.
△					
△					
△					



제품명	L	W	W1	P1	P2	P3	T	H	D1	D2	N-M
CH- 024-25B,V	32	25	5.9	20	13.2	-	2.4	3.15	2.5	6.3	4-M3
CH- 024-30B,V	32	30	7	20	16	-	2.4	3.15	2.5	6.3	4-M3
CH- 024-50B,V	32	50	10	20	30	-	2.4	3.15	2.5	6.3	4-M3
CH- 024-75B,V	32	75	10	20	27.5	27.5	2.4	3.15	2.5	6.3	6-M3
CH- 024-100B,V	32	100	10	20	40	40	2.4	3.15	2.5	6.3	6-M3
CH- 024-60B,V	50	60	9	30	21	21	3.3	4.55	5	9.1	6-M6
CH- 024-70B,V	50	70	10	30	25	25	3.3	4.55	5	9.1	6-M6

Note

- 특징 :
- 용도 :

Dimension (mm)	Precision	Material	Dwg. No.	QTY
0.5~3		AL 압출		**
3~6	±0.05	Finish	Part Name.	Weight
6~30	±0.1	흑색 아노다이징, 실버 아노다이징	**	-
30~120	±0.15	Revision	Ass'y Name	Scale
120~315	±0.2	-	**	1.6:1
315~1000	±0.3	Date	Model No.	
1000~2000	±0.5	2010-06-21	CH- 024	
KS B 0412에 준함		Designed by		
		Shin S H		
		Checked by		
		Approved by		