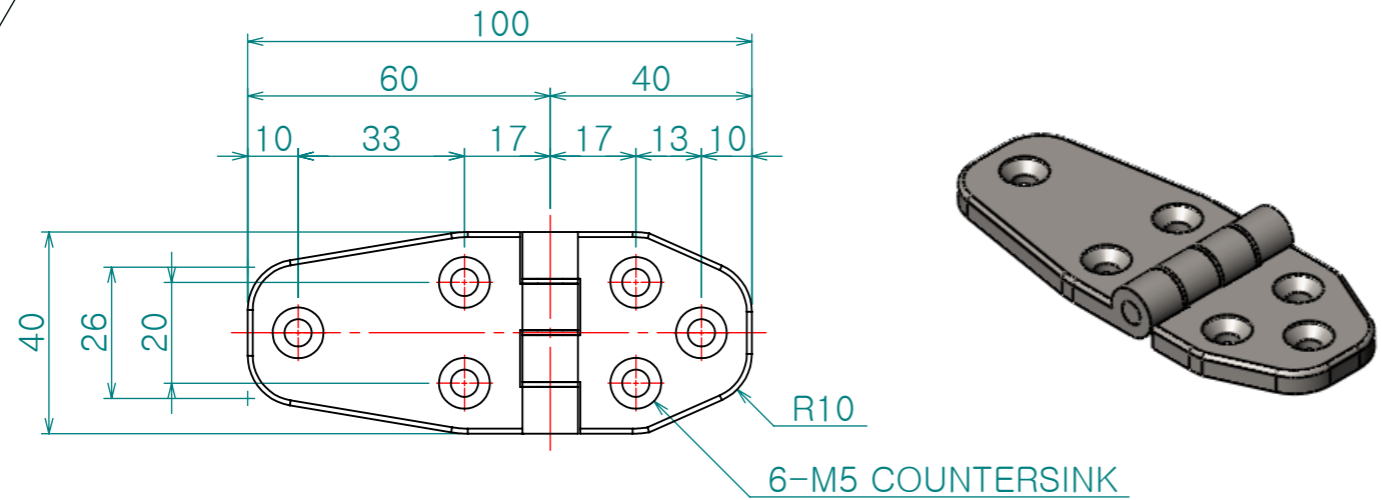
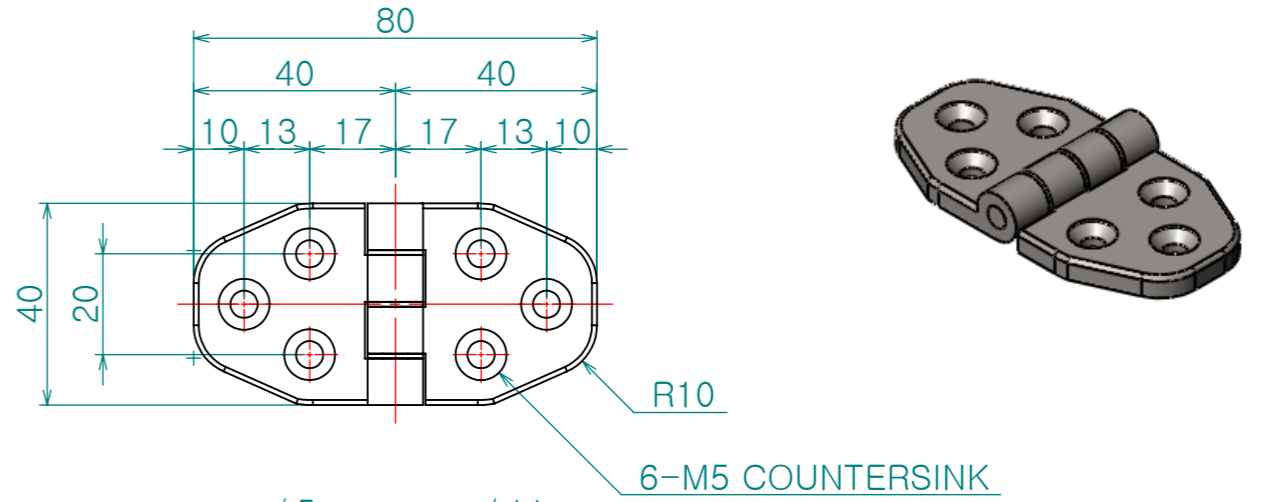


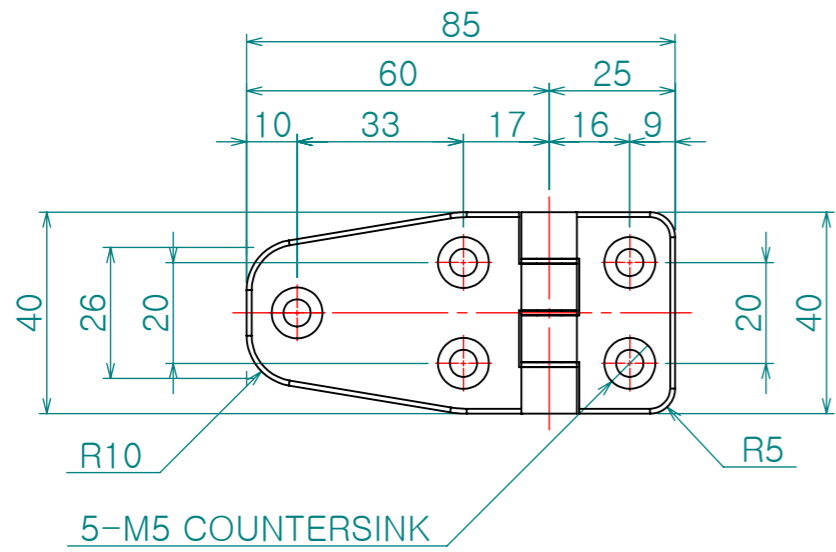
| Re. No. | DESCRIPTION | DATE | DS. | CH. | AP. |
|---------|-------------|------|-----|-----|-----|
| △ | | | | | |
| △ | | | | | |
| △ | | | | | |



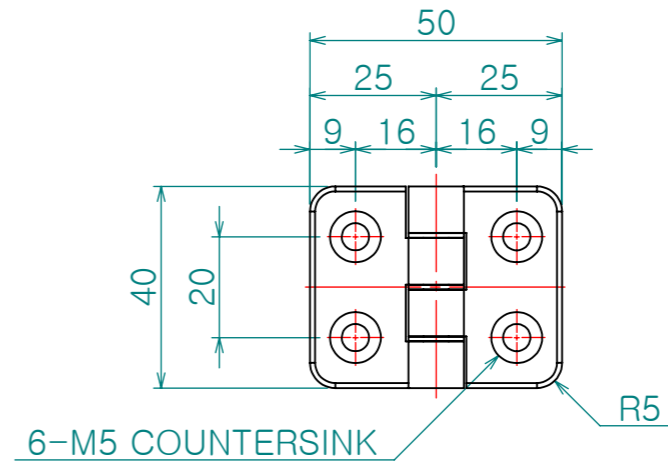
CH- 006-100



CH- 006-80



CH- 006-85



CH- 006-50

Note

- 1. 특징 :
- 2. 용도 :

| | | | | |
|----------------|-----------|-------------|-------------|--------|
| Dimension (mm) | Precision | Material | Dwg. No. | QTY |
| 0.5~3 | | STS304 | | ** |
| 3~6 | ±0.05 | Finish | Part Name. | Weight |
| 6~30 | ±0.1 | 광택연마 | ST 주조 HINGE | - |
| 30~120 | ±0.15 | Revision | Ass'y Name | Scale |
| 120~315 | ±0.2 | - | ** | 1:1.5 |
| 315~1000 | ±0.3 | Date | Model No. | |
| 1000~2000 | ±0.5 | 2010-02-22 | CH- 006 | |
| KS B 0412에 준함 | | Designed by | | |
| | | Checked by | | |
| | | Approved by | | |