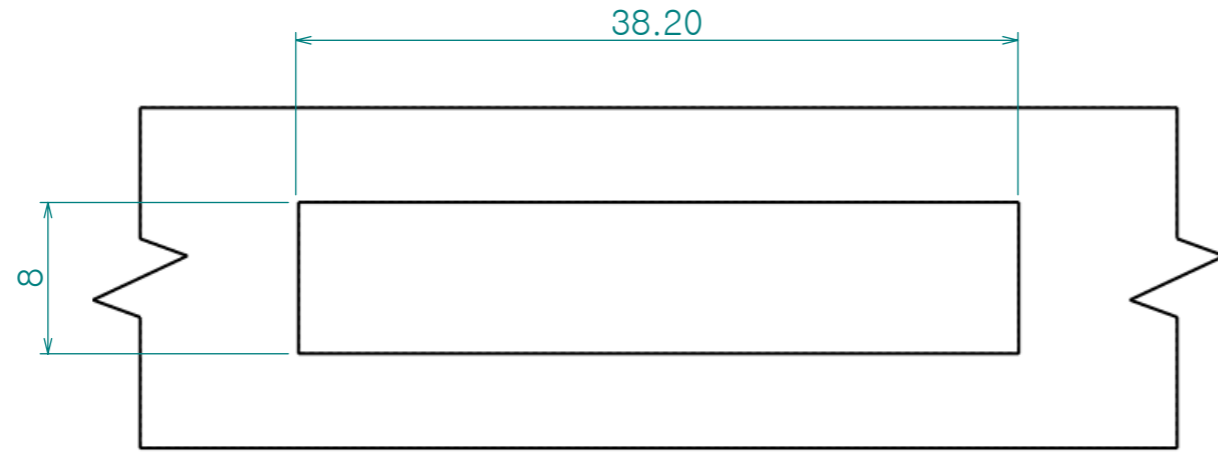
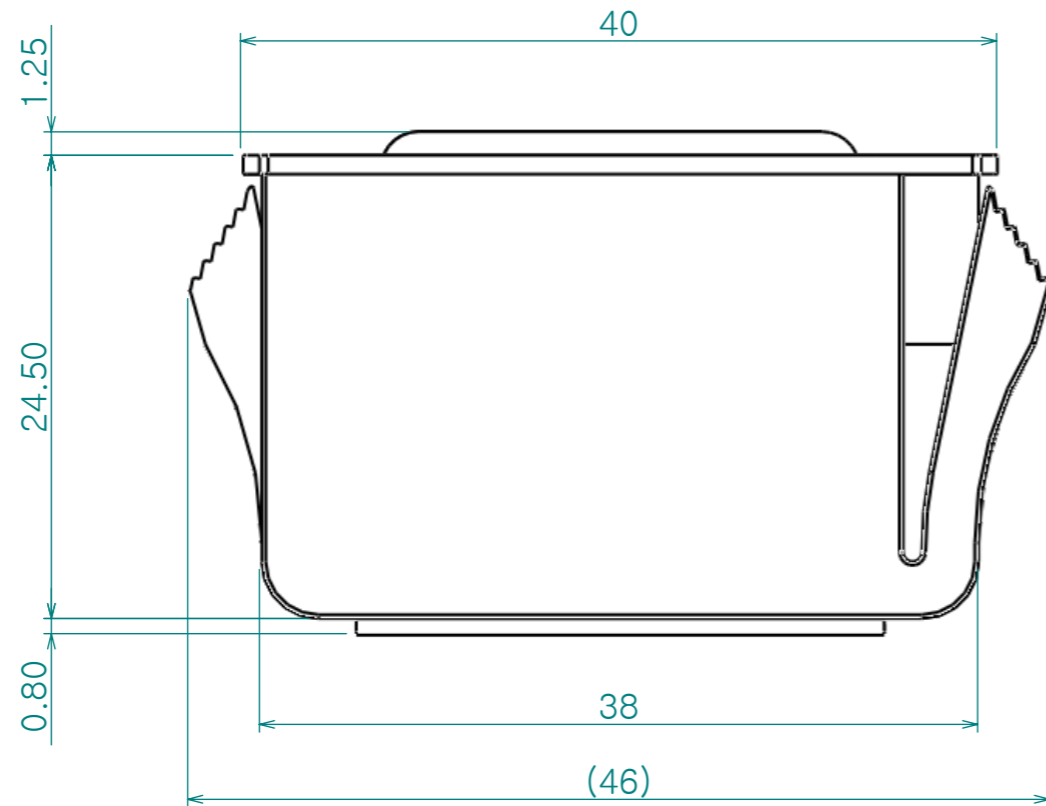
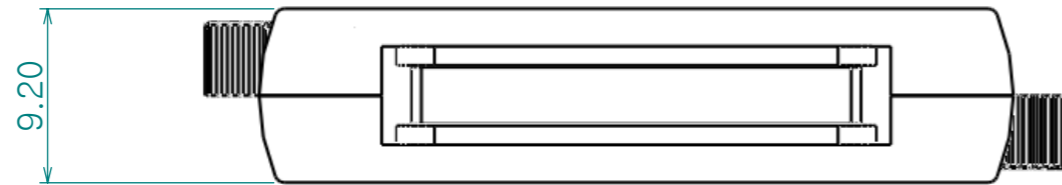


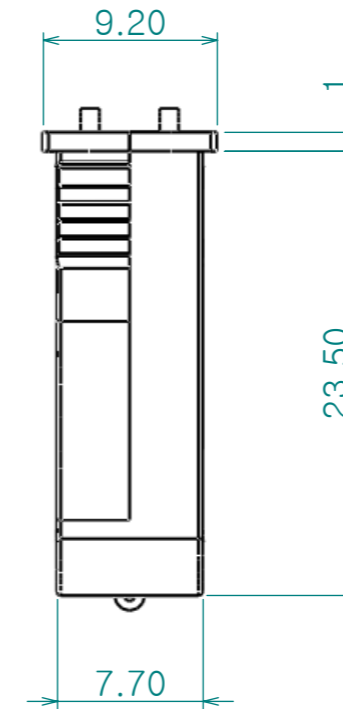
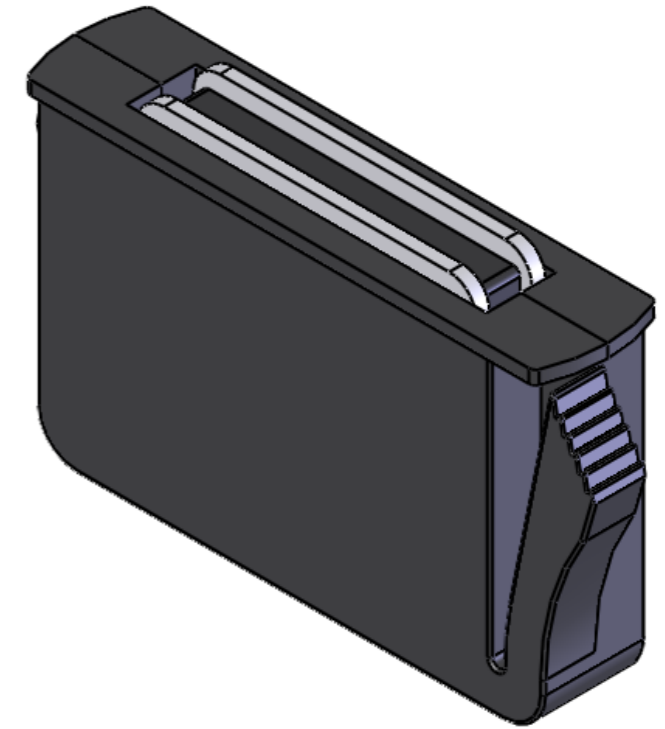
Dwg. No.



PANEL DRILLING DIMENSIONS



Re. No.	DESCRIPTION	DATE	DS.	CH.	AP.
△					
△					
△					



Note

1. 특징 :
2. 용도 :

Dimension (mm)	Precision	Material	Dwg. No.	QTY
0.5~3	±0.05	나일론	Part Name. CC-1021-02	Weight
3~6		블랙		-
6~30	±0.1	Revision	Sheet Size	Scale
30~120	±0.15	-	A3	2.5:1
120~315	±0.2	Date	Designed by	
315~1000	±0.3	2010-05-18	Shin S H	
1000~2000	±0.5	Checked by	Approved by	
KS B 0412에 준함				