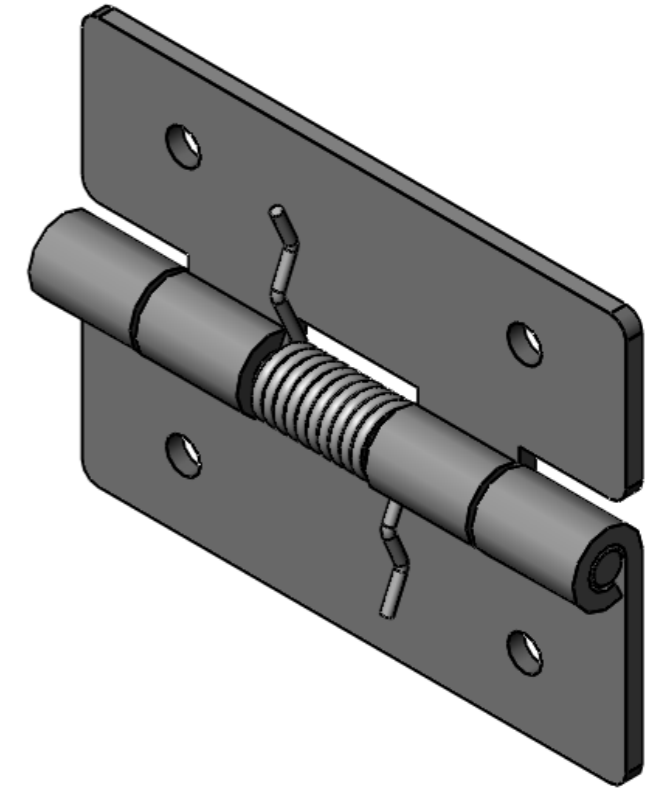
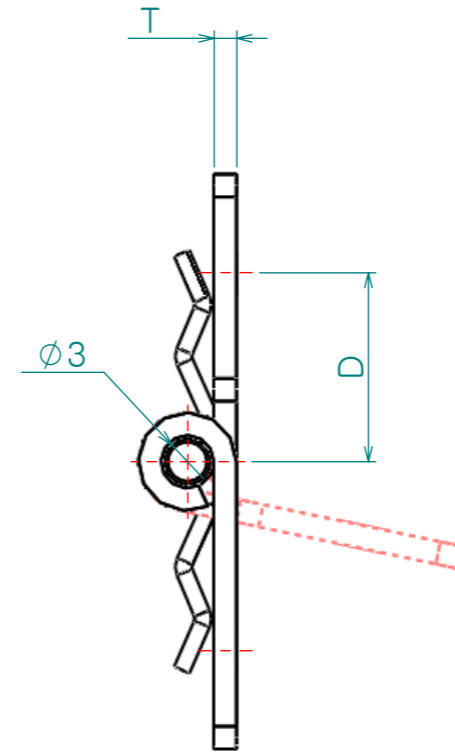
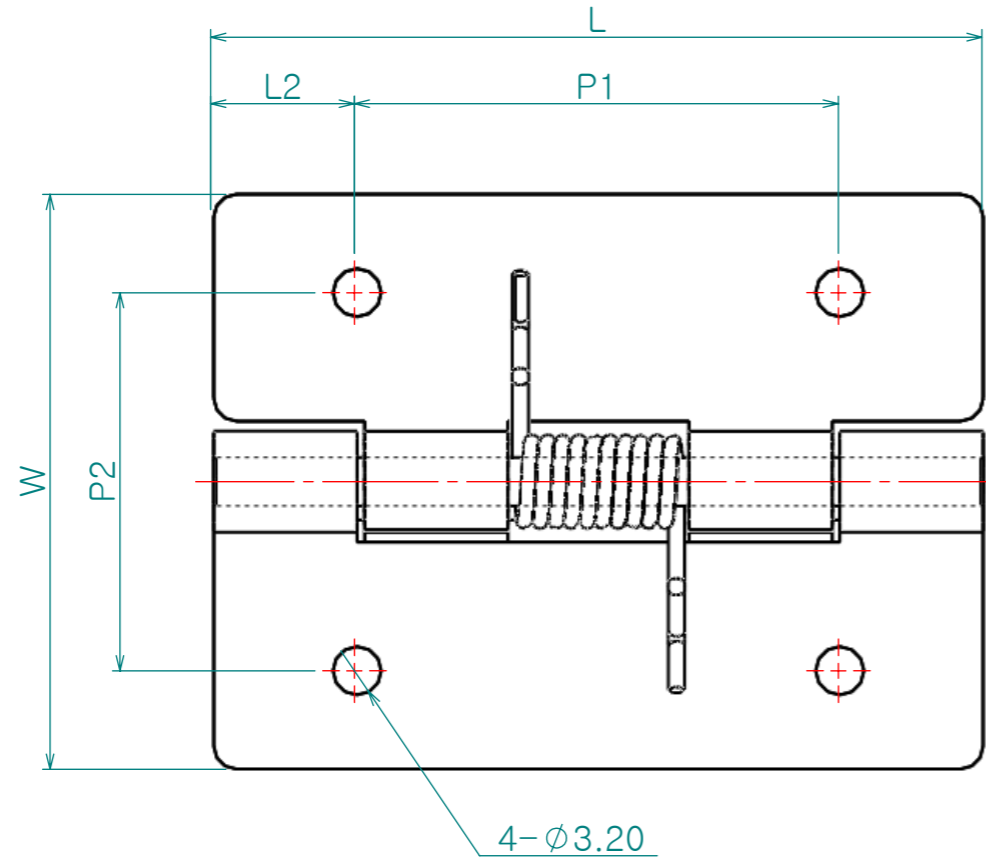


Re. No.	DESCRIPTION	DATE	DS.	CH.	AP.
△					
△					
△					



제품명	L	L1	W	P1	P2	D	T
CH- 031-1	51	9.5	38	32	25	12.5	1.5
CH- 031-2	38	6	32	26	20	10	1.5
CH- 031-3	25	5.5	32	14	20	10	1.2

Note

1. 특징 :

2. 용도 :

Dimension (mm)	Precision	Material	Dwg. No.	QTY
0.5~3	±0.05	STS304	Part Name.	**
3~6		Finish		**
6~30	±0.1	바렐연마	Ass'y Name	-
30~120	±0.15	Revision	**	Scale
120~315	±0.2	-	Sheet Size	2:1
315~1000	±0.3	Date	A3	Model No.
	1000~2000	±0.5		
KS B 0412에 준함		Designed by	Hardware	
		Shin S H		
		Checked by	Approved by	