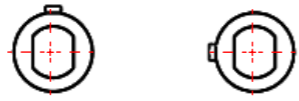
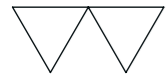
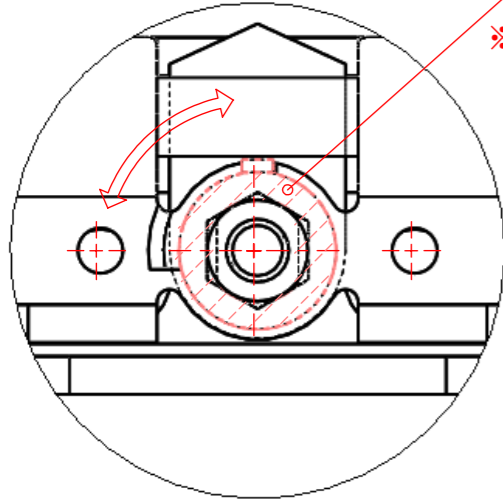


Re. No.	DESCRIPTION	DATE	DS.	CH.	AP.
△					
△					
△					

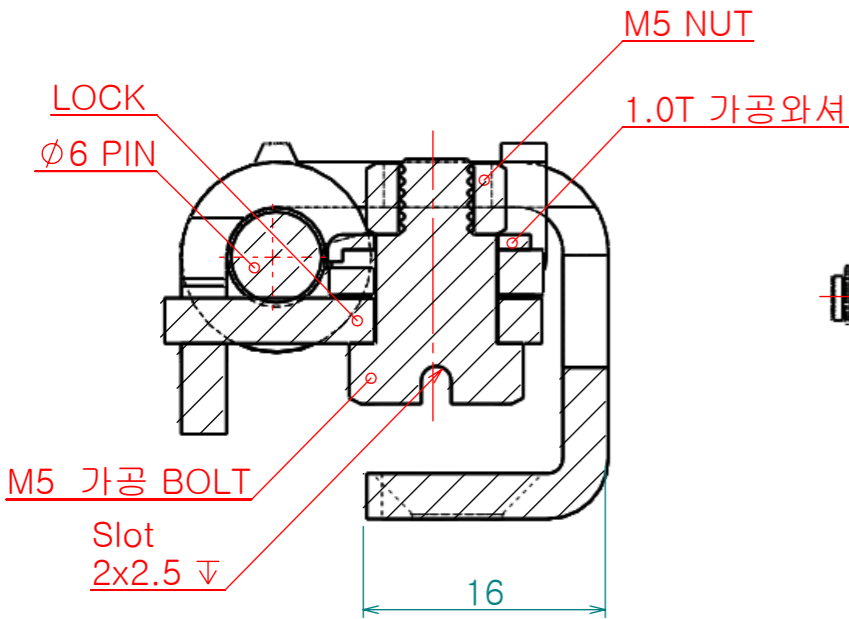
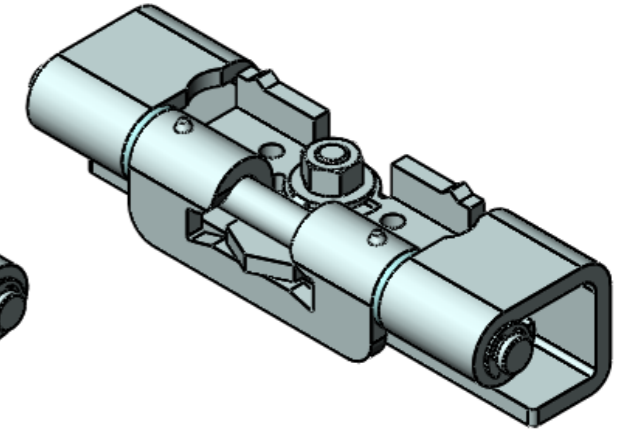
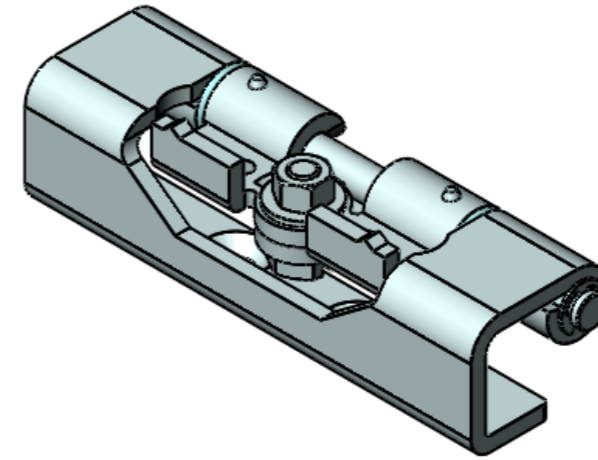
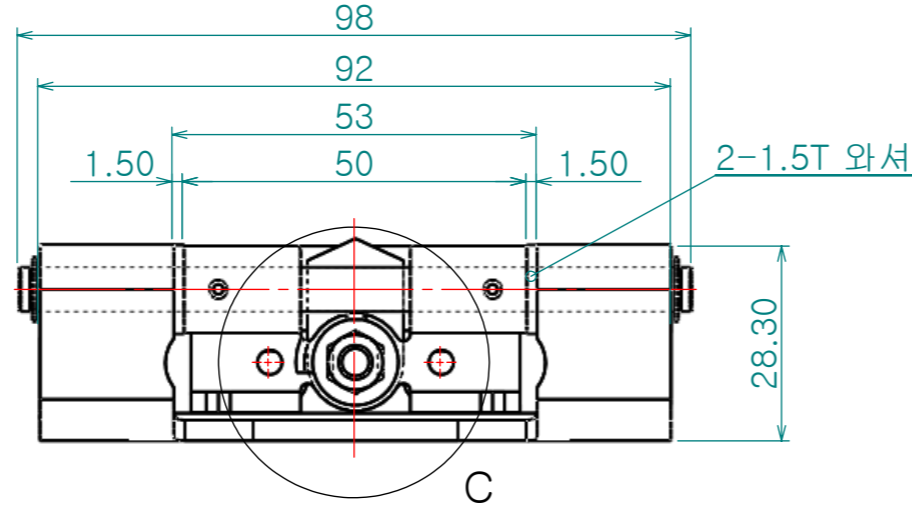


R TYPE L TYPE

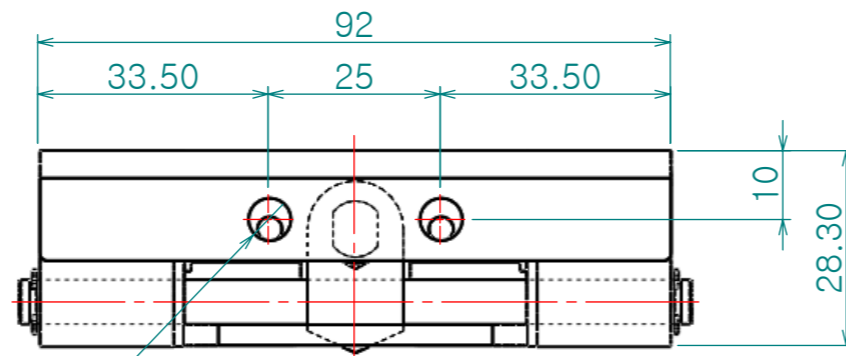
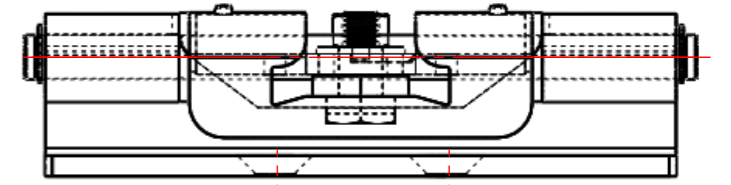
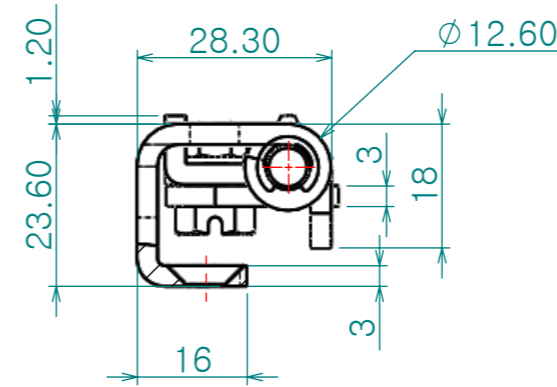
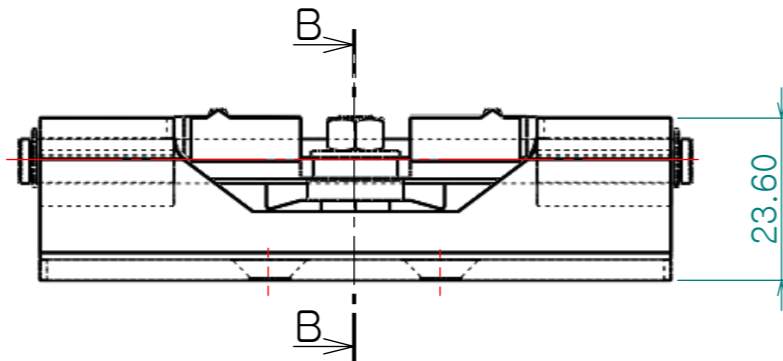
※ TYPE에 따라 OPEN 방향이 다름.



상세 C



단면 B-B



2-M6 COUNTERSINK

Note

1. 특징 :

2. 용도 :

Dimension (mm)	Precision	Material	Dwg. No.	QTY
0.5~3		STEEL		**
3~6	±0.05	Finish	Part Name.	Weight
6~30	±0.1	아연도금	**	-
30~120	±0.15	Revision	Ass'y Name	Scale
120~315	±0.2	-	**	1:1.1
315~1000	±0.3	Date	Model No.	
1000~2000	±0.5	2010-07-27	CH-027	
KS B 0412에 준함		Designed by	Hardware	
		Shin S H		
		Checked by		
		Approved by		