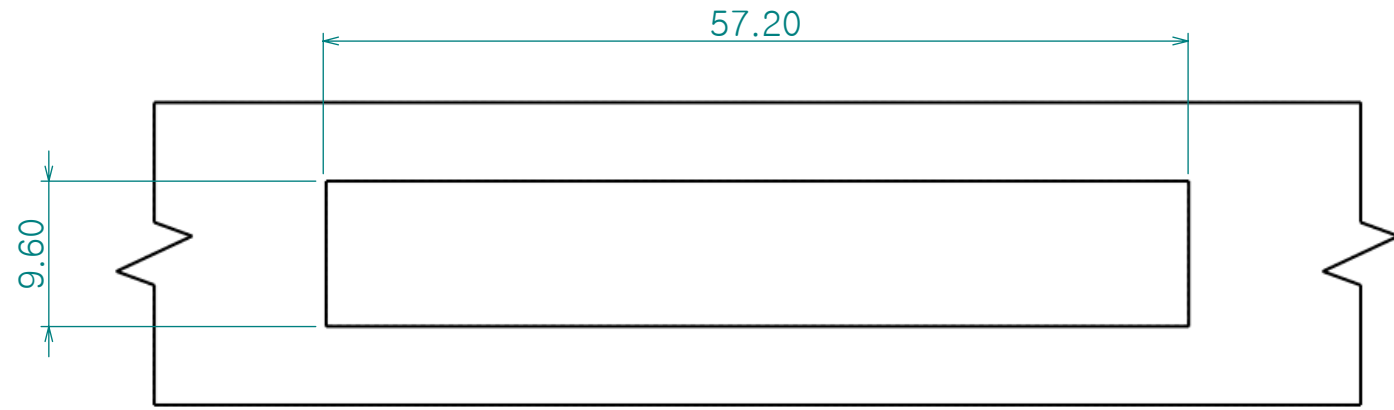
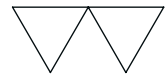
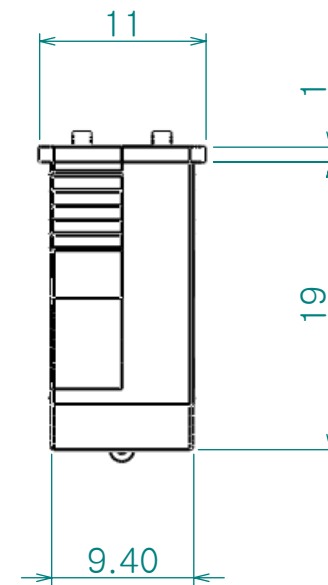
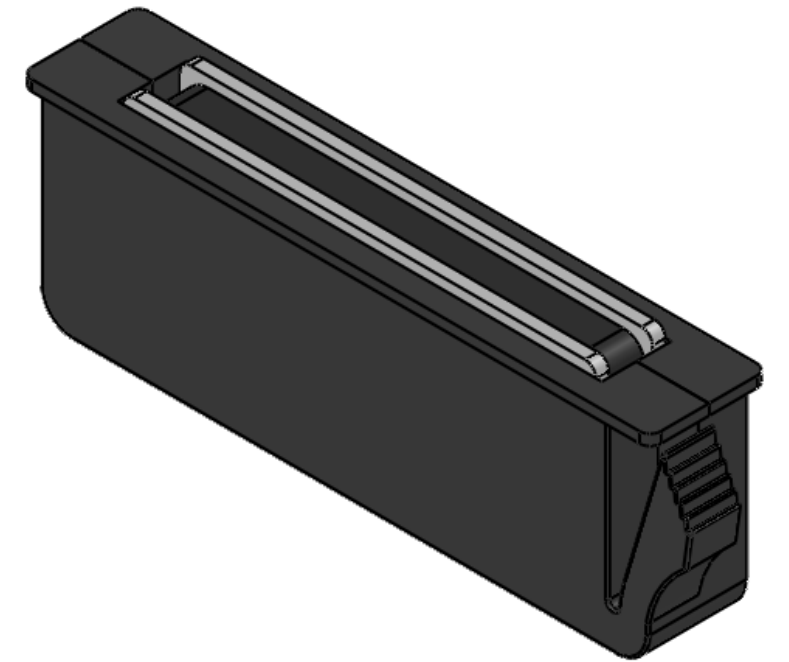
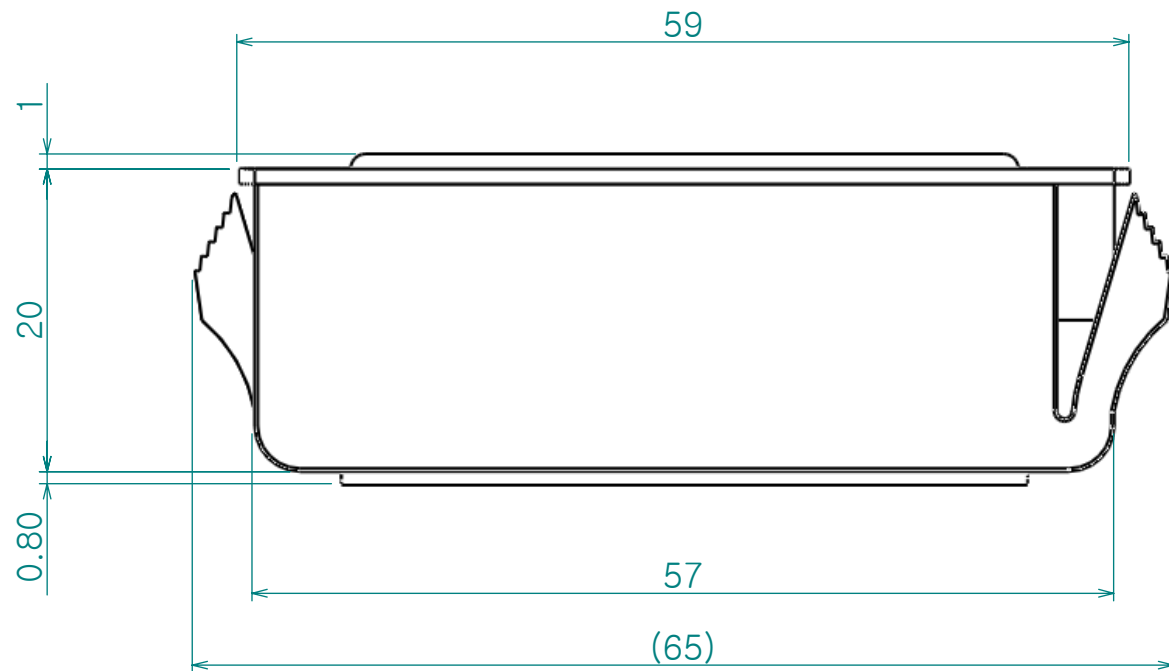
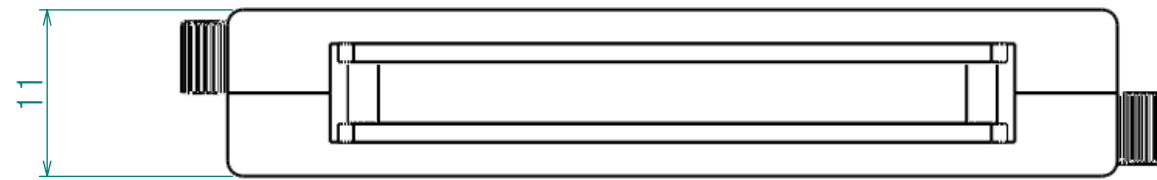


Dwg. No.



PANEL DRILLING DIMENSIONS



Re. No.	DESCRIPTION	DATE	DS.	CH.	AP.
△					
△					
△					

Note

- 1. 특징 :
- 2. 용도 :

Dimension (mm)	Precision	Material	Dwg. No.	QTY
0.5~3	±0.05	나일론	CC-1021-03	**
3~6		Finish		Part Name.
6~30	±0.1	블랙	Ass'y Name	-
30~120	±0.15	Revision	**	Scale
120~315	±0.2	-	Sheet Size	2:1
			A3	
315~1000	±0.3	Date	Designed by	Model No.
1000~2000	±0.5	2010-05-18	Shin S H	**
		Checked by	Approved by	
KS B 0412에 준함				

