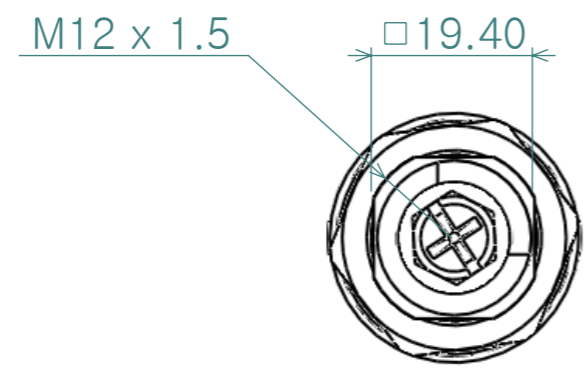
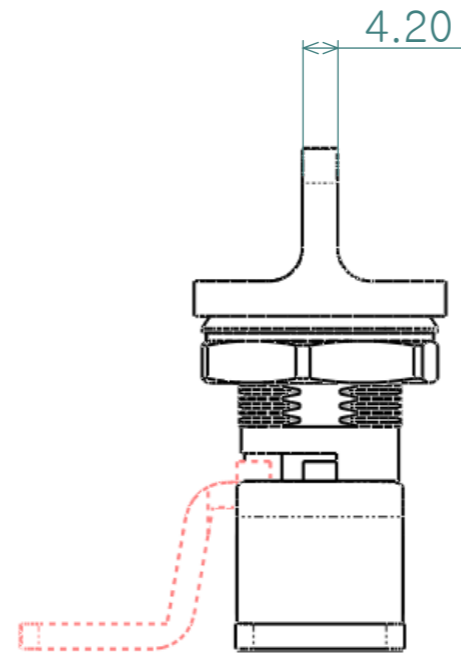
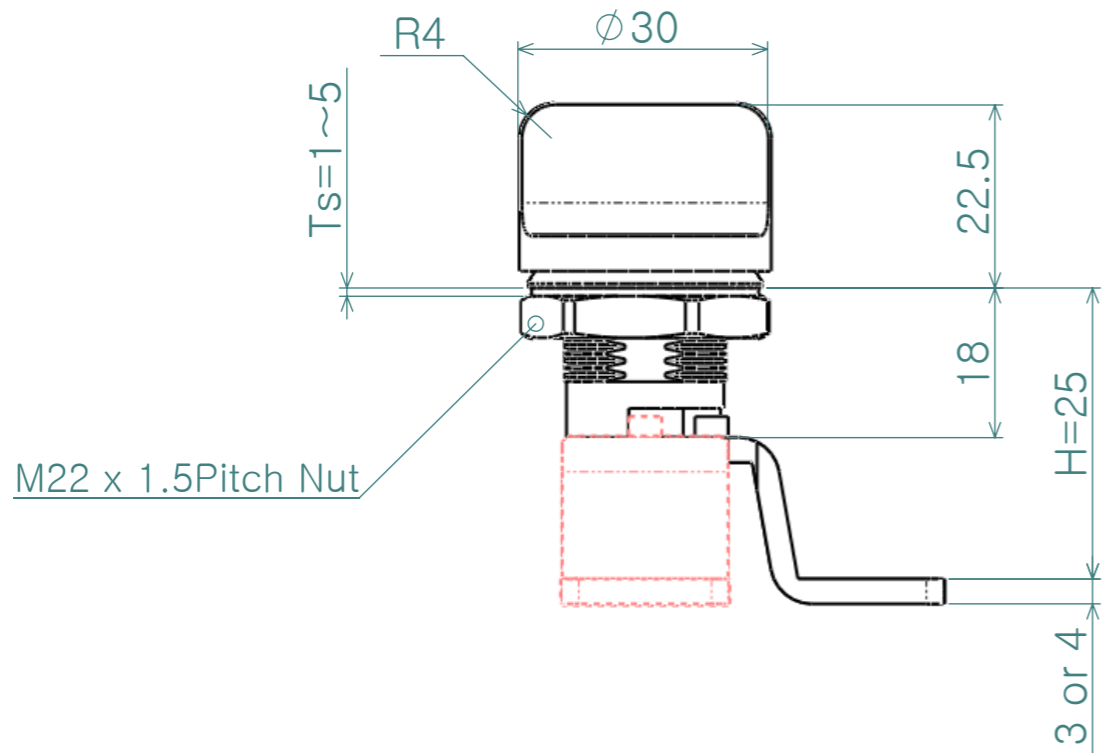
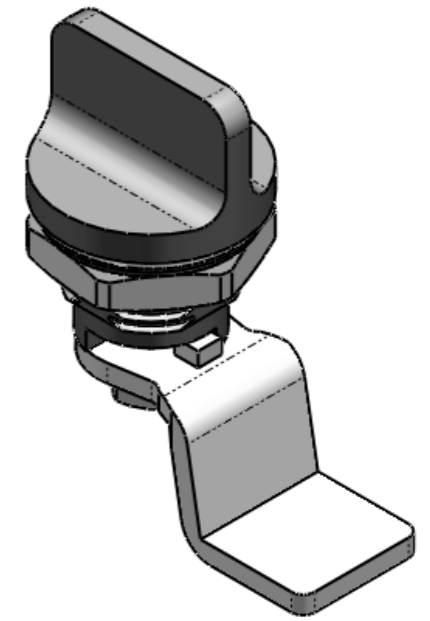
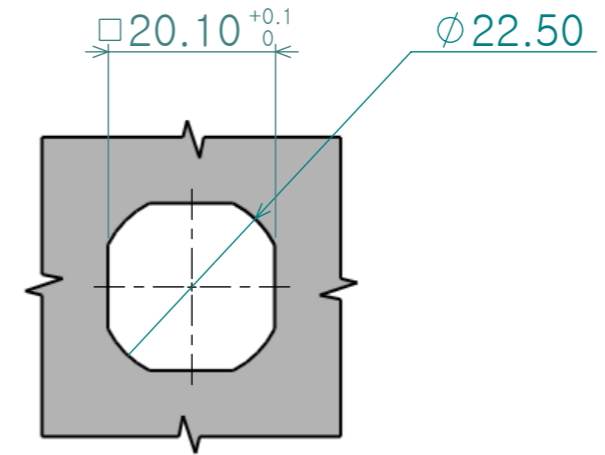
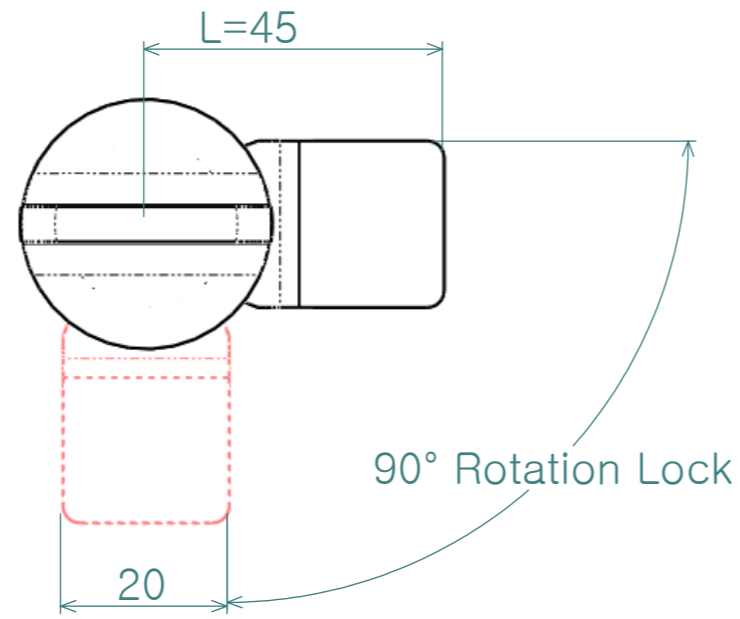


| Re. No. | DESCRIPTION | DATE | DS. | CH. | AP. |
|---------|-------------|------|-----|-----|-----|
| △       |             |      |     |     |     |
| △       |             |      |     |     |     |
| △       |             |      |     |     |     |



Note

- 1. 특징 :
- 2. 용도 :

|                |           |                  |             |           |
|----------------|-----------|------------------|-------------|-----------|
| Dimension (mm) | Precision | Material         | Dwg. No.    | QTY       |
| 0.5~3          | ±0.05     | 아연합금(Zinc),Steel | Part Name.  | Weight    |
| 3~6            |           | 블랙 크롬도금,아연도금     |             |           |
| 6~30           | ±0.1      | Revision         | Sheet Size  | Scale     |
| 30~120         | ±0.15     |                  |             |           |
| 120~315        | ±0.2      | Date             | Designed by | Model No. |
| 315~1000       | ±0.3      | 2010-03-12       | Shin S H    |           |
| 1000~2000      | ±0.5      | Checked by       | Approved by |           |
| KS B 0412에 준함  |           |                  |             |           |