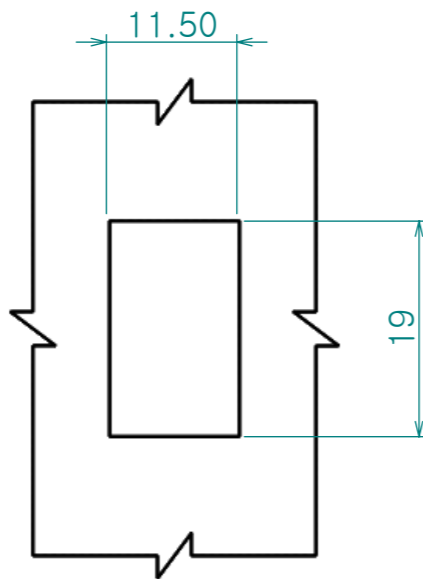
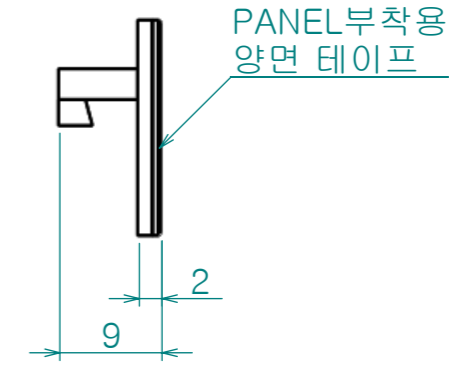
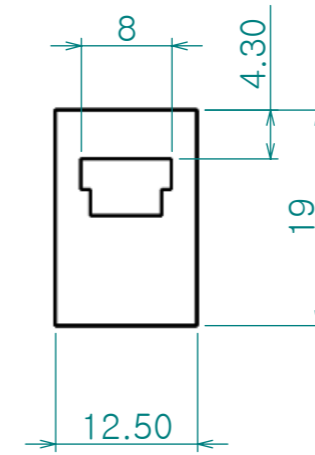
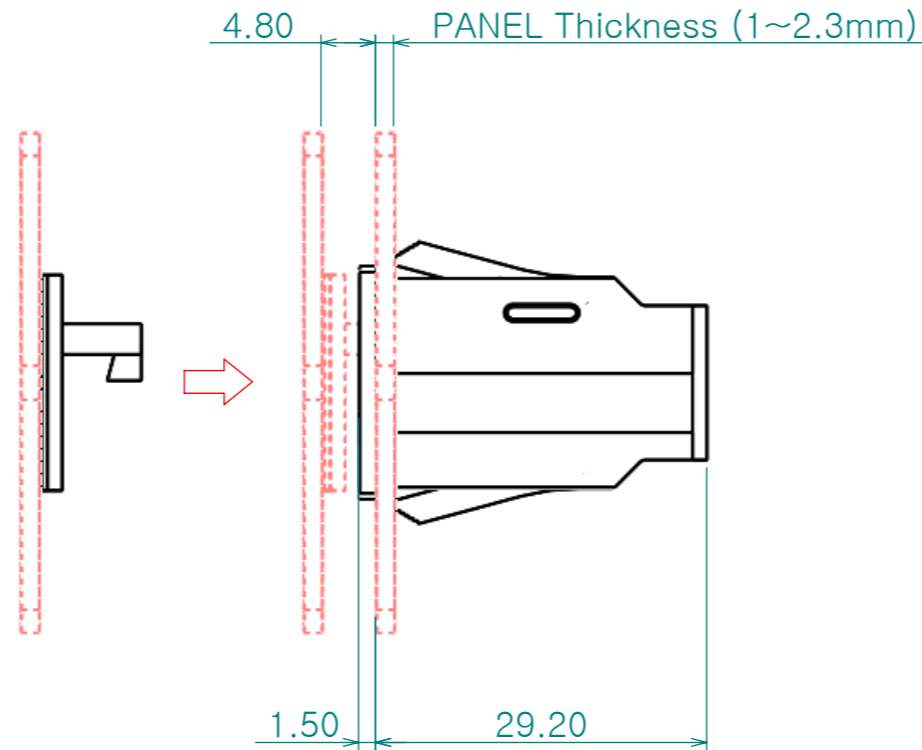
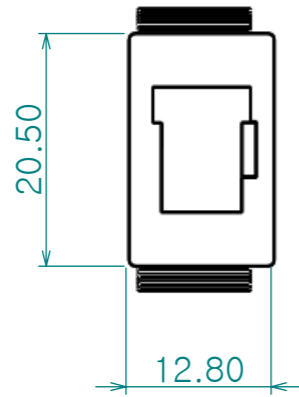
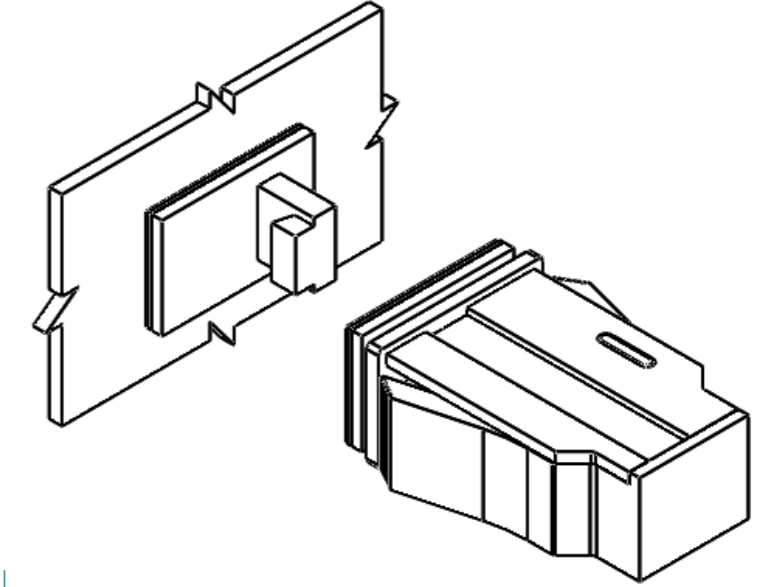
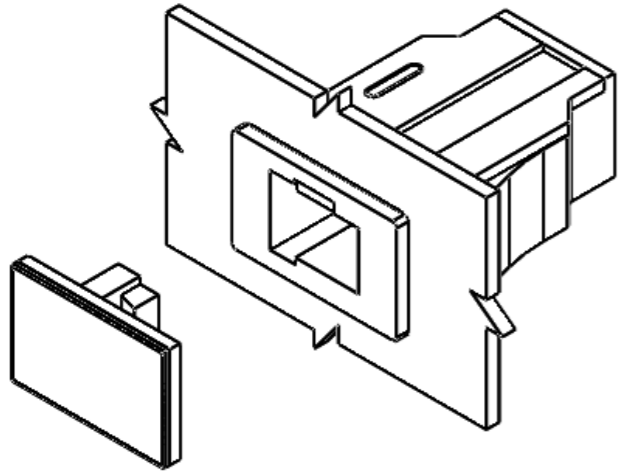
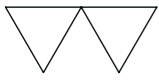


Re. No.	DESCRIPTION	DATE	DS.	CH.	AP.
△					
△					
△					



Note

- 1. 특징 :
- 2. 용도 :

※ PANEL DRILLING DIMENSIONS

Dimension (mm)	Precision	Material	Dwg. No.	QTY
0.5~3	±0.05	PLASTIC	Part Name.	Weight
3~6		Finish		-
6~30	±0.1	BLACK	Ass'y Name	Scale
30~120	±0.15	Revision	Sheet Size	1.5:1
120~315	±0.2	-		
315~1000	±0.3	Date	Designed by	Model No.
	1000~2000	±0.5	2010-09-06	
KS B 0412에 준함		Checked by	Approved by	